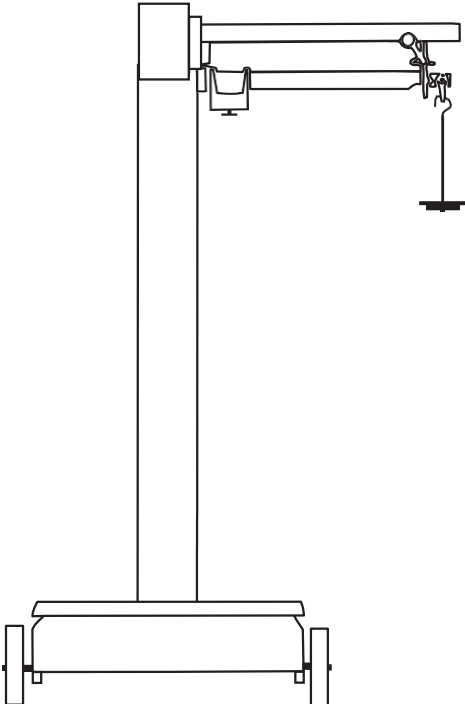
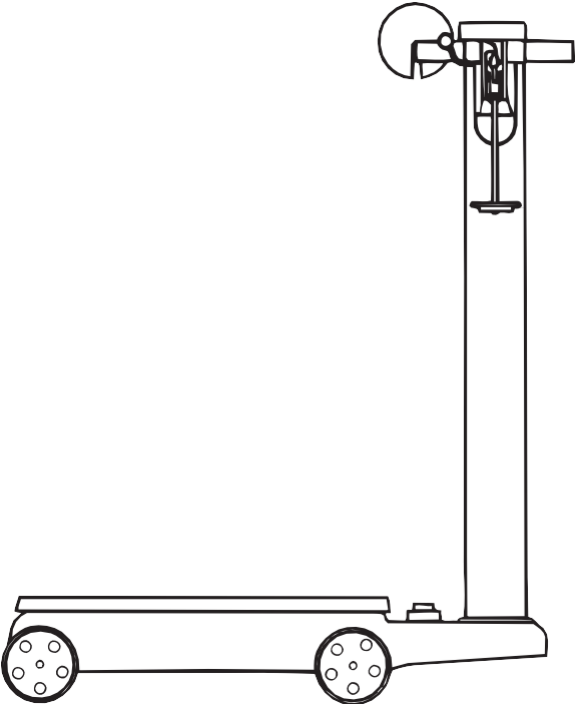




Portable Platform Scale

Models: 1124, 1124-1 and 1124 (no beam)





Amendment Record

Portable Platform Scale 1124, 1124 (no beam) & 1124-1 Manual 50595

Manufactured by Fairbanks Scales Inc.
821 Locust
Kansas City, Missouri 64106

Created	6/1988	
Issue #1	06/1988	Released document
Issue #2	05/2001	Updated assembly instructions and part numbers
Issue #3	11/2009	Revised Assembly Instructions
Revision 4	08/2010	Add information for item 46 in parts lists
Revision 5	03/2011	Revised Parts List
Revision 6	03/2013	Revised Parts List
Revision 7	09/2015	Changed part #96853 to 95853
Revision 8	05/2018	Revised Parts list
Revision 9	02/2019	Revised Parts list; Added Digital Utility Kits
Revision 10	04/2019	Updated model 1124 (no beam)

Disclaimer

Every effort has been made to provide complete and accurate information in this manual. However, although this manual may include a specifically identified warranty notice for the product, Fairbanks Scales makes no representations or warranties with respect to the contents of this manual, and reserves the right to make changes to this manual without notice when and as improvements are made.

It is the responsibility of the requesting party to develop, maintain, install, and connect networking devices and general network connectivity as it applies to the originating party's network. No warranty or guarantee, expressed or implied, concerning the network, its design, its installation, or operational characteristics has been offered by Fairbanks Scales. Fairbanks Scales shall not be liable for any loss, damage, cost of repairs, incidental or consequential damages of any kind, whether or not based on express or implied warranty, contract, negligence, or strict liability arising in connection with the design, development, installation, or use of an intended network.

Trademarks

All other product names mentioned herein are used for identification purpose only and may be trademarks and/or registered trademarks of their respective companies.

© Copyright 2019

This document contains proprietary information protected by copyright. All rights are reserved; no part of this manual may be reproduced, copied, translated, or transmitted in any form or by any means without prior written permission of the manufacturer.

Table of Contents

SECTION 1: GENERAL INFORMATION	5
1.1. Introduction	5
1.1.1. <i>Description</i>	<i>5</i>
1.1.2. <i>Models and Accessories.....</i>	<i>6</i>
1.1.3. <i>Universal Digital Utility Kits</i>	<i>6</i>
SECTION 2: INSTALLATION.....	7
2.1. Unpacking.....	7
2.2. Assembly	7
2.2.1. <i>Wheel and Pillar Assembly</i>	<i>7</i>
2.2.2. <i>Cap and Beam Assembly</i>	<i>8</i>
2.3. Operation (1124 and 1124-1).....	10
2.4. Universal Digital Utility Kit.....	11
2.4.1. <i>Mounting Bracket Kit Assembly.....</i>	<i>11</i>
2.4.2. <i>Installing the Instrument.....</i>	<i>12</i>
SECTION 3: PARTS.....	14
3.1. 1124 (lbs).....	14
3.2. 1124-1 (kg).....	17
3.3. 1124 (No beam).....	20

Section 1: General Information

1.1. Introduction

This manual provides information on installation, adjustment, and parts list for models 1124, 1124-1 and 1124 (no beam) for portable platform scales. Please read carefully while assembling the scale. The scale is factory calibrated and supplied ready to be assembled and placed into service. For commercial applications, scale must be installed by a certified scale technician.

NOTE: *Adjustments to the weighing accuracy should only be made by trained scale personnel. No modifications are to be made to this equipment.*

If assembling a digital scale, reference the associated instrument manual for setup and calibration instructions.

Upon receipt, ensure that no shipping damage has occurred.

Damage to the shipping carton must be noted by the receiving party and made known to the shipper. Claims for shipping damage are made by the receiving party to the shipper.

It is the customer's/owner's responsibility to maintain the scale in good operating condition and to protect the scale from accidental damage.

1.1.1. Description

The 1124 and 1124-1 portable platform scales are constructed with cast iron bases and cast-iron lever systems. The indicating devices are a mechanical beam (in lbs. or kgs.) or, with accessories, an electronic instrument for displaying the weight.

NOTE: *The 1124's shipping weight is approximately 185 lbs. **PLEASE USE CAUTION TO PREVENT INJURY, AND OR DAMAGE TO THE PRODUCT.***



1.1.2. Models and Accessories

Model #	Ref #	Description	Shpg Wt
55652	1124	18" x 24" Port platform, 1000 lb cap, lbs. beam indicator	185 lbs.
55653	1124-1	18" x 24" Port platform 500 kg cap, kg. beam indicator	185 lbs
58927	1124 (No Beam)	18" x 24" Port platform 1000 lb cap, no indicator included	185 lbs

1.1.3. Universal Digital Utility Kits

The **Universal Digital Utility kits** are constructed with cast iron bases and cast-iron lever systems (1124 – No beam). The indicating devices (not included) can be industrial scale instruments with a desk/wall mount bracket. There is a dedicated universal digital utility kit for the 3052 Series Instrument.

Model #	Description	Shpg Wt
35342	Universal Digital Utility Conversion Kit FB1100, FB2250, FB2255 or Nexweigh	12 lbs.
36662	Universal Digital Utility Kit – 3052 3052 Series (Must include 357 accessory)	15 lbs

Section 2: Installation

2.1. Unpacking

Check that all parts are included using the packing list. Check for component damage that may have occurred during shipping.

2.2. Assembly

CAUTION: *The scale base assembly, as shipped, weighs 105 lbs. USE CAUTION WHEN LIFTING!*

2.2.1. Wheel and Pillar Assembly

NOTE: *The descriptions below refer to “Item No” to describe parts. Use the parts list and Item # in the list to identify those parts.*

1. Set the scale base assembly (#4) upright on the floor.
2. Starting with an axle (#19), insert a cotter pin (#17) in 1 end, then place 1 washer (#18) & 1 wheel (#16) over the open end.
3. Insert the axle's other end through BOTH holes in the base.
4. Place a wheel (#16), then 1 washer over the other end and insert a cotter pin.
5. Repeat steps 2-4 for the 2nd axle.
6. 'Center' the axles in the base, then insert the locking screws (#15) into the tapped holes in the bottom of the base (directly under the axle holes).
7. Tighten the locking screws, then secure the lock nuts (#14).
8. Screw the two (2) pillar rods (#1) into the base in the two (2) tapped holes provided.
9. Place the pillar (#2) over the pillar rods with the cutouts facing to the left and right of the platform
10. Insert the beam load rod (#35) down through the pillar, with the bent hook on top, loose swivel hook on the bottom.

2.2.2. Cap and Beam Assembly

For 1124 and 1124-1 Models (Beam installations)

NOTE: Go to section [2.2.4](#) for [Universal Digital Utility Kit assembly](#).

1. Place the beam support (#39) over the pillar rods with the "hook" facing to the right (when facing the scale platform).
2. Place the beam cap (#45) over the pillar rods, with the beam cap extending to the right.
3. Place washers then "acorn" nuts (#44) over the pillar rods, hand tighten only.
4. **Locate the loop assembly that will support the beam assembly from the beam cap. THIS LOOP MUST BE INSTALLED CORRECTLY TO ALLOW THE POISE TO SLIDE TO ZERO.** Orient the open end of the loop assembly to face the end of the beam assembly when installing. Refer to [Figure 2-2](#) on page 12.
5. Fit the loop over the pivot on the butt end of the beam.
6. Insert the beam into the cutouts in the pillar, then the beam tip through the beam lock (#43) so that the beam's MIDDLE loop (on top) will go OVER the 'hook' on the beam support (thus hanging from the hook).
7. Put the UPPER end of the beam load rod through the large END loop on the butt of the beam.
8. From the rear of the scale, locate the BOTTOM end of the beam load rod (the open part of the "hook" on the bottom should face the scale base (inward)).
9. Holding the rod's BOTTOM hook, put it UNDER the pivot on the END of the scale lever by lifting on the long lever end from the bottom.
10. Fit the beam lock (#43) over the beam tip and align with the 2 holes in the beam cap and use the 2 screws to fasten the beam lock to the beam cap with the handle facing the scale platform.
11. Hang the counterpoise (#54) from the beam tip loop.
12. Set the sliding poise to zero and hand tighten the screw.

13. Check that the beam is straight and does not touch the sides of the trig lock.
14. Shift the cap if necessary to straighten, then tighten the “acorn” nuts securely.

NOTE: *Check that the weighing platform "floats" on the levers' pivots and bearings and does not bind or set to one side. The platform should return to a centered position if moved to any position then released.*

15. Unlock the beam lock loop to allow the beam to balance.
16. The beam should move up and down freely coming to rest in the center of the trig lock opening. Balance the beam by adjusting the balance ball at the butt end of the beam, using a screwdriver.
 - Turning the screw CW will RAISE the beam
 - Turning the screw CCW will LOWER the beam
17. If the beam will not balance using the balance ball.
 - Check that the poise is at "0" and the poise screw is snug. Check that the platform is 'free' and 'floating'.
 - Check that the beam load rod is connected properly on BOTH ends.
 - Check that there is nothing under the platform inhibiting the levers (floor debris).
 - Check that the counterpoise hanger, without any weights, is on the tip loop.
 - Check that the beam is hanging from the middle loop. Check that the beam lock is 'open'.
 - Apply a slight pressure to the scale platform and see if the beam tip rises.

If the scale beam still does not balance, perform the following

- Use a screwdriver to 'center' the balance ball at the butt end of the beam.
- If the beam is "UP", apply small amounts of weight (BBs) to the top of the counterpoise.
- If the beam is "LOW", remove the counterpoise hanger, loosen the hanger rod by turning and holding the bottom nut, and remove a small amount of lead shot.
- Add or remove small amounts of weight until beam balances.
- Secure the counterpoise hanger with "added" or "removed" weight.

2.3. Operation (1124 and 1124-1)

1. **Zeroing:** Before weighing an object, ensure that the scale is on ZERO with nothing on the platform. To do this, set the sliding poise to "0", release the beam lock, and observe the beam within the beam lock loop. (The beam should move from near the top to near the bottom eventually settling 'balancing' in the center). If not, adjust the zero-balance ball using a flat blade screw driver.

- If the beam stays at the top of the beam lock loop, turn the balance ball screw counter-clock-wise.
- If the beam stays at the bottom of the beam lock loop, turn the balance ball screw clock-wise. Adjust the balance ball until the beam will balance at the center of the beam lock loop.

2. Weighing

- Check that the beam lock is 'ON' (lever flipped to the left)
- Carefully place the object to be weighed in the platform center
- Run the sliding poise to the right end of the beam, and slowly release the beam lock
- If the beam stays at the bottom of the beam lock loop, slowly slide the poise to the left (decreasing) until the beam balances in the center. Read the weight on the beam at the poise's pointer.
- If the beam stays at the top of the beam lock loop, add counter poise weights to the counterpoise until the beam 'bottoms out', then slowly slide the poise to the left (decreasing) until the beam balances in the center. Read the weight on the beam at the poise's pointer, and add the represented weight of
- all counterpoise weights used.

2.4. Universal Digital Utility Kit

2.4.1. Mounting Bracket Kit Assembly

The adapter will be partially assembled and packed with bubble wrap. The adapter bracket (#77), stiffener plate (#78), and load cell mounting plate (#72) will be in correct orientation in the box. See figure 2-1.

- A. Lift the entire mounting bracket kit out of the box and remove the bubble wrap placed between the stiffener plate (#78) and load cell plate (#72), allowing the load cell linkage assembly to go through the hole and the load cell plate (#72) to set flush on top of the stiffener plate (#78).
- B. With the slot in the back (as viewed from the platform), place the assembly with the handle facing away from the platform deck OVER the two pillar rods so it rests on top of the pillar.
- C. Ensure that the mounting bracket is setting flush and aligned with the pillar. Looking up from the bottom, you should see two (2) small studs in opposite corners on the INSIDE of the pillar. Use the two pillar rod washers and nuts to secure the mounting bracket to the top of the pillar. Use a wrench to tighten the pillar rod nuts but be careful not to touch the load cell while tightening.

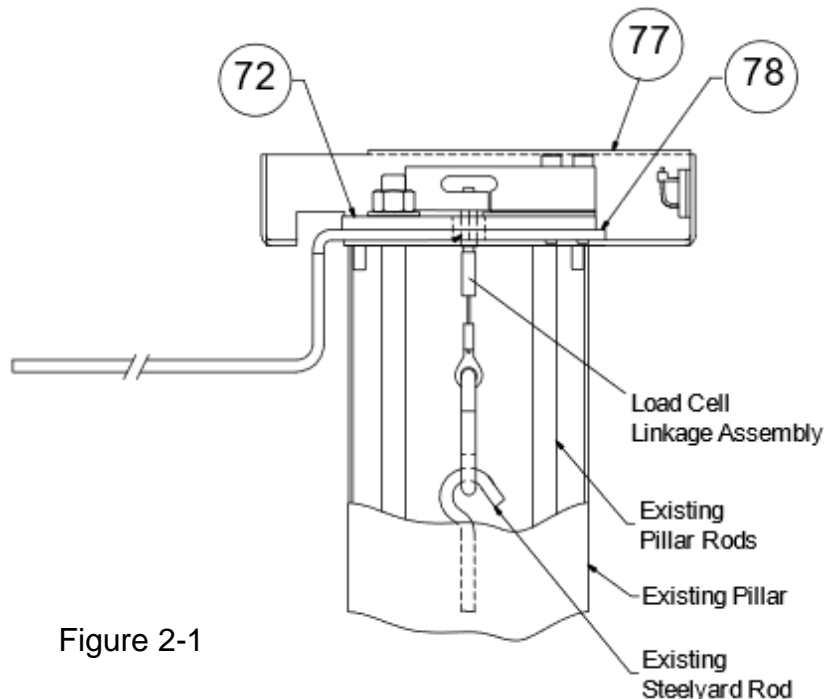
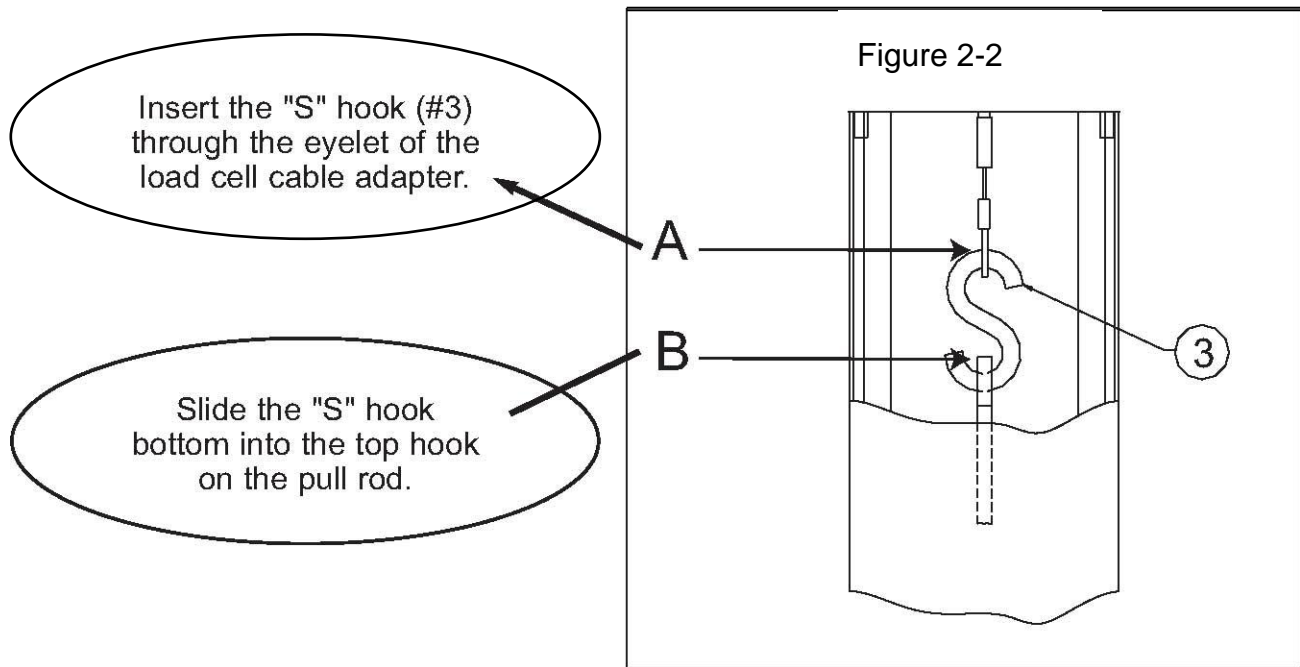


Figure 2-1

- D. At the bottom of the scale base, in the back, lift the lever end (#34) UP while placing the hook under the lever's pivot while holding the hook on top of the pull rod.

- E. Insert the “S” hook (#73) (Figure 2-2) through the eyelet of the load cell linkage cable adapter.
- F. Slide the “S” hook bottom into the top hook on the pull rod.



2.4.2. Installing the Instrument

- A. The load cell cable has a 4-pin molex connector attached.
- B. If necessary, wire the 24” ribbon cable (p/n 22706) to the instrument –opposite end of this cable has a mating 4-pin Molex connector. Gently slide connectors together until they snap in place.
- C. Locate the cable tie mount (#75) in the bracket approximately as shown. Secure the load cell cable in place with wire tie (#76). Insure cables *do not touch live portion of the load cell*. See figure 2-3.

- D. When installing instrument assembly to plate and bracket, use acorn nuts. Remove feet from instrument. See figure 2-4.
- E. Loop the load cell cable through the cable clip (#79) one time.
- F. Place the instrument on top of the mounting bracket with the keypad/display facing the scale platform with mounting bracket cutout facing scale platform. Use the screws, washers, lock washers, and nuts to secure the instrument to the mounting bracket as shown in figure 2-4.

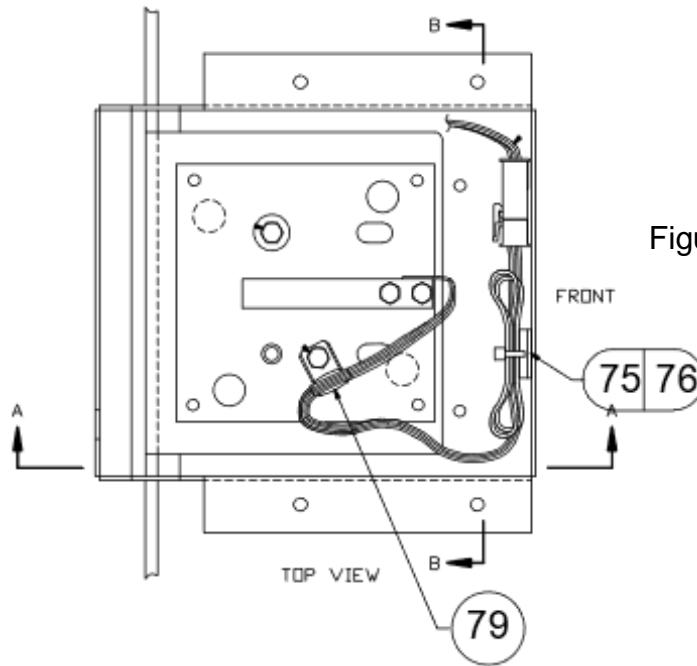


Figure 2-3

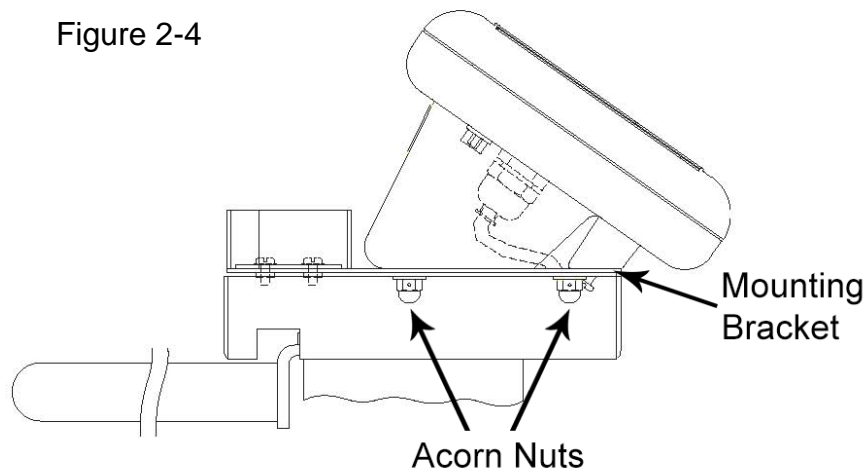


Figure 2-4

NOTE: For Scale operation, reference the appropriate instrument Operator's manual.

Section 3: Parts

3.1. 1124 (lbs)

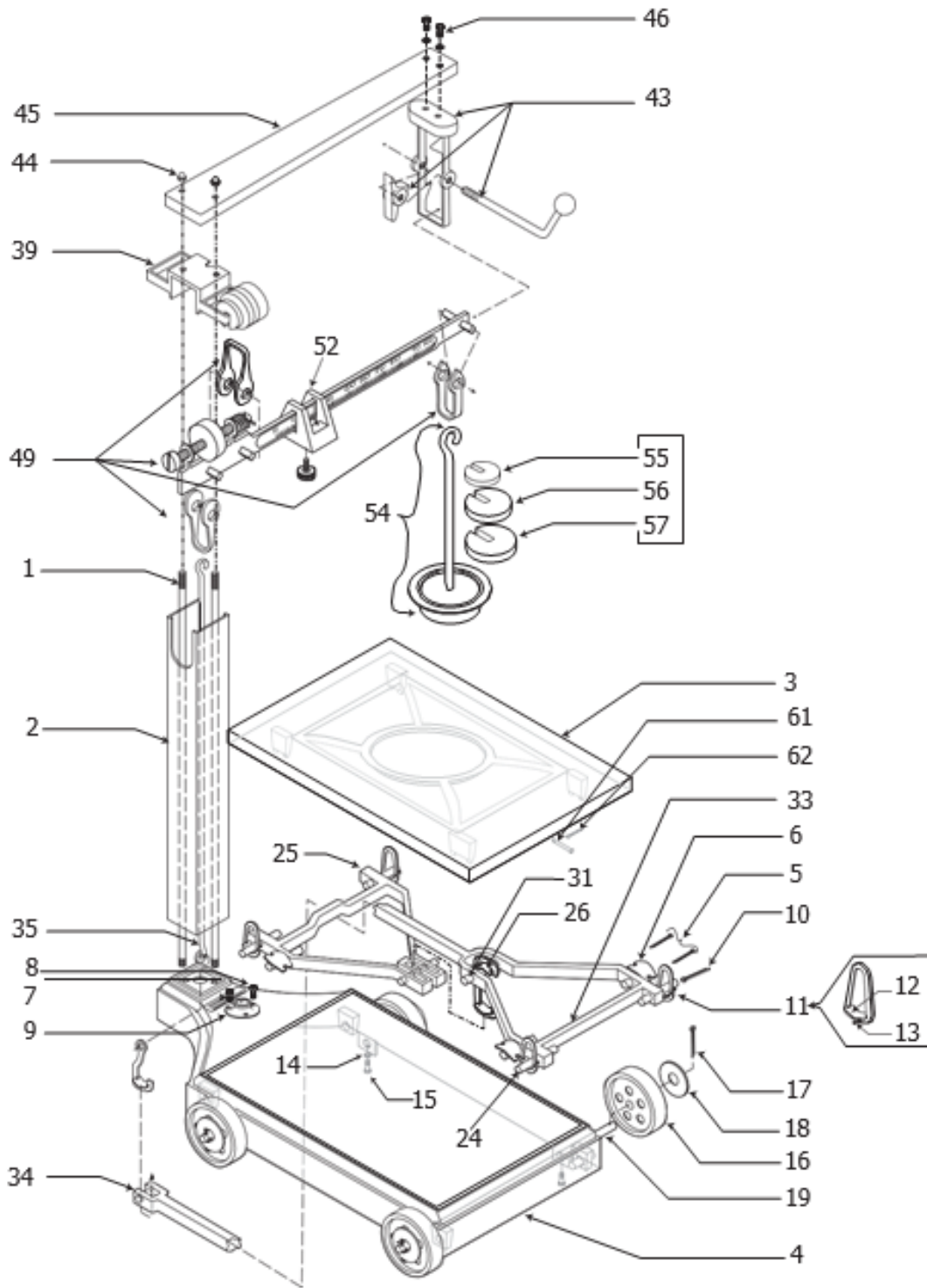
Item No.	Part No.	Description
1	71622	Pillar rod, long
2	58933	Pillar
3	95847	Platform cover
4	95848	Frame
5	95855	Cotter pin
6	58937	Bearing, platform
7	95856	Screw, Phillips Head
8	95857	Screw Allen
9	95858	Level, bubble
10		Pin, corner loop
11		Loop, corner
12		Bearing, corner loop
13		Cotter pin
10,11,12,13	58938	Corner loop assembly
14	95867	Hex nut
15	95868	Hex head bolt
16	95869	Wheel, 5" diameter
17	71628	Cotter pin
18	71629	Washer, flat
19	95870	Axle
24	95861	Pivot, load & fulcrum
25	72948	Short lever assy
26	58939	Center connection assembly
31	95863	Center pivot, long lever
33	72947	Long lever assy
34	95864	Long lever tip pivot
35	58934	Steelyard rod assembly
39	95839	Beam support
43	95840	Beam lock assembly
44	71592	Acorn nuts (2)
45	95841	Cap assembly

Item No. "NS" = not shown



46	71593	Set of hex bolts
49	95843	Beam assembly (lb), includes: (beam, beam insert, beam pivots, loops, poise w/screw, balance ball)
52	95842	Poise assembly
54	58935	Counterpoise assembly
55	58936	1 lb (100 lb) counterpoise weight
56	95853	2 lb (200 lb) counterpoise weight
57	95854	4 lb (400 lb) counterpoise weight
55, 56, 57	71596	1 Set of (lb) weights (1-58936, 2-96853, 1-95854)
61	95865	Platform locking pin
62	95866	Cotter pin, platform locking pin
NS	95845	Replacement brass insert for beam. Unit = lbs Includes insert for each side of the beam.

1124 (lbs) – Parts Diagram





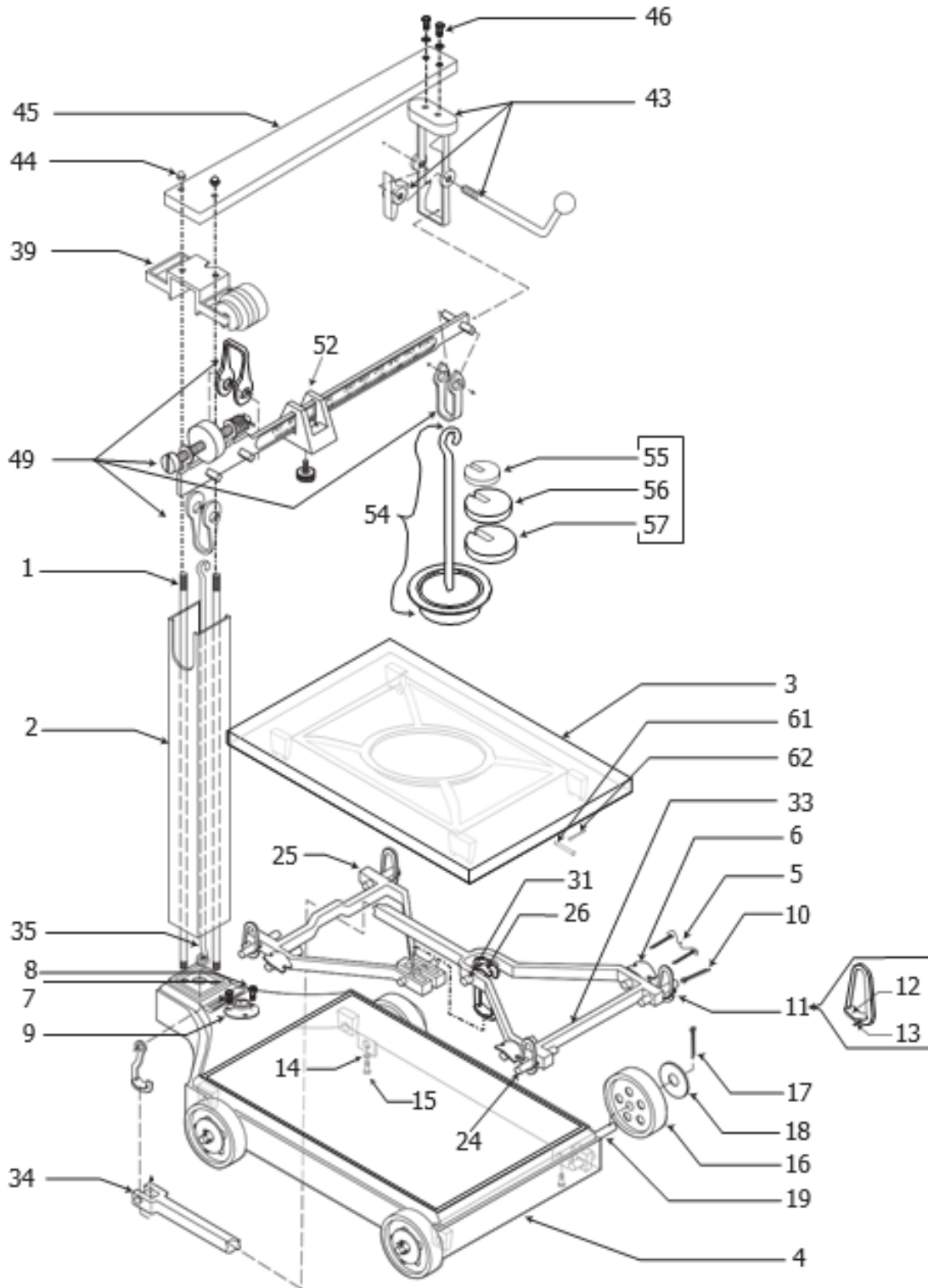
3.2. 1124-1 (kg)

Item No.	Part No.	Description	
1	71622	Pillar rod, long	Item No. "NS" = not shown
2	58933	Pillar	
3	95847	Platform cover	
4	95848	Frame	
5	95855	Cotter pin	
6	58937	Bearing, platform	
7	95856	Screw, Phillips head	
8	95857	Screw Allen	
9	95858	Level, bubble	
10		Pin, corner loop	
11		Loop, corner	
12		Bearing, corner loop	
13		Cotter pin	
10,11,12,13	58938	Corner loop assembly	
14	95867	Hex nut	
15	95868	Hex head bolt	
16	95869	Wheel, 5" diameter	
17	71628	Cotter pin	
18	71629	Washer, flat	
19	95870	Axle	
24	95861	Pivot, load & fulcrum	
25	72948	Short lever assy	
26	58939	Center connection assembly	
31	95863	Center pivot, long lever	
33	72947	Long lever ssy	
34	95864	Long lever tip pivot	
35	58934	Steelyard rod assembly	
39	95839	Beam support	
43	95840	Beam lock assembly	
44	71592	Acorn nuts (2)	
45	95841	Cap assembly	
46	71593	Set of hex bolts	
49	72089	Beam assembly (kg), includes: (beam, beam insert, beam pivots, loops, poise w/screw, balance ball)	



52	95842	Poise assembly
54	58935	Counterpoise assembly
55	72084	.5kg (50kg) counterpoise weight
56	72085	1kg (100kg) counterpoise weight
57	72086	2kg (200kg) counterpoise weight
55, 56, 57	72087	1 set of kg weights (1-72084, 2-72085, 1-72086)
61	95865	Platform locking pin
62	95866	Cotter pin, platform locking pin
NS	95845	Replacement brass insert for beam. Unit = kg Includes insert for each side of the beam.

1124-1 (kg) – Parts Diagram

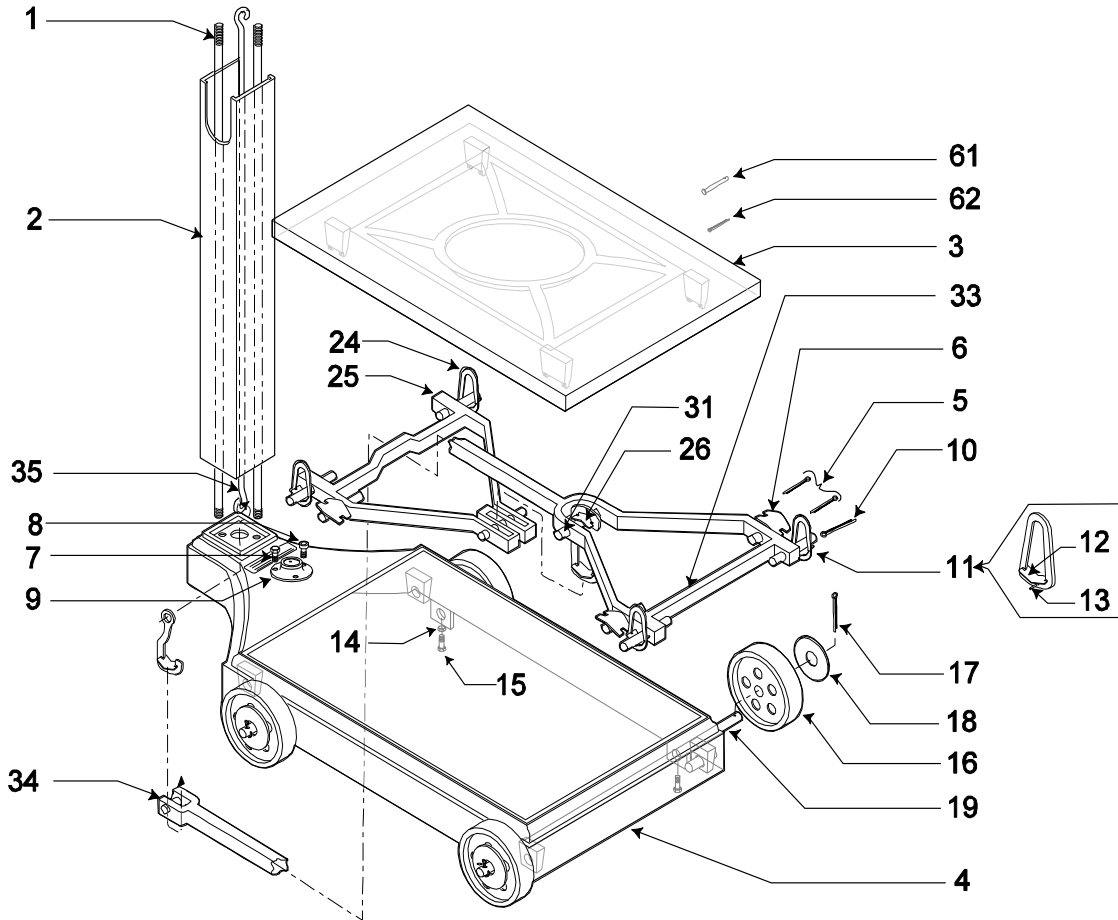




3.3. 1124 (No beam)

Item No.	Part No.	Description	
1	95850	Pillar rod, long (short)	Item No. "NS" = not shown
2	58933	Pillar	
3	95847	Platform cover	
4	95848	Frame	
5	95855	Cotter pin	
6	58937	Bearing, platform	
7	95856	Screw, Phillips Head	
8	95857	Screw Allen	
9	95858	Level, bubble	
10		Pin, corner loop	
11		Loop, corner	
12		Bearing, corner loop	
13		Cotter pin	
10,11,12,13	58938	Corner loop assembly	
14	95867	Hex nut	
15	95868	Hex head bolt	
16	95869	Wheel, 5" diameter	
17	71628	Cotter pin	
18	71629	Washer, flat	
19	95870	Axle	
24	95861	Pivot, load & fulcrum	
25	72948	Short lever assy	
26	58939	Center connection assembly	
31	95863	Center pivot, long lever	
33	72947	Long lever assy	
34	95864	Long lever tip pivot	
35	168302	Steelyard rod assembly, short	
61	95865	Platform locking pin	
62	95866	Cotter pin, platform locking pin	

1124 (No beam) – Parts Diagram





Manufactured by Fairbanks Scale, Inc.
821 Locust Street
Kansas City, MO 64106

www.fairbanks.com

Portable Platform Scale

Installation Manual

Document 50595