

FAIRBANKS®

186 SERIES FORM PRINTER



This fast, easy-to-use form printer is designed specifically for form style reports or tractor-fed reports.

MINIMUM OPERATOR TIME

The Model 186 Form Printer provides rapid operation and automatic ticket dispensing. Pre-printed ticket forms are completed in seconds, avoiding delays and backups at the scale. The automatic tractor-feed or fanfold ticket stock frees the operator for other tasks. In operation, the ticket is dispensed automatically for tear-off upon print completion.

PRINTER FLEXIBILITY

When used with an appropriate indicator, the 186 Printer will provide either one or two tickets for IN/OUT weighing operations. You have the choice of a temporary inbound ticket or manual tracking of inbound weights through a digital indicator display. The dot matrix print head allows for up to four ticket copies.

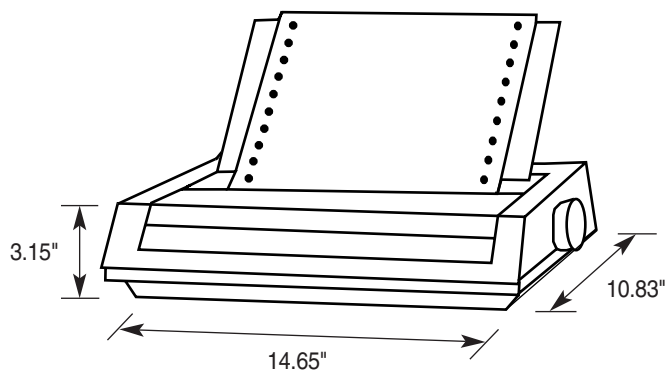
PRINTED INFORMATION

When this printer is used with a suitable Fairbanks Scales indicator, printed information may include weight, time, date, ticket number, inbound and outbound data, ticket title and ticket headings. The title and headings are selected/deselected at installation through programming to meet your ticket requirements.

SPECIFICATIONS

Power Requirements	120 VAC \pm 10%, 50/60 Hz, grounded 3-wire AC, 33 watts
Serial Interface	RS232C 300 to 19,200 baud
Ribbon	Cartridge load
Ribbon life.	3 million characters
Print Speed.	Utility mode – 250 cps Draft mode – 333 cps at 10 and 17.1 cpi NLQ – 62.5 cps
Print head life	200 million characters
Buffer size.	128 kb
Number of Sheets	1-5 part forms
Paper Weight	14-20 lbs.
Maximum Width of Paper . . .	Friction-feed: 9.5" Tractor-feed: 9.9"
Minimum Width of Paper . . .	Friction-feed: 3.0" Tractor-feed: 3.0"
Paper Path	Bottom to Top, Rear Feed or Single Sheet (top)
Approvals	UL and CSA

DIMENSIONS



QuickFacts™

Models and specifications subject to change without notice.
Printed in the USA. © Fairbanks Scales Inc.

Call toll-free for the Fairbanks representative nearest you:

(800) 451-4107

Internet Address: <http://www.Fairbanks.com>

04/10

100470