

# FAIRBANKS®

## EASYCODER PM4i INDUSTRIAL BAR CODE PRINTER



The EasyCoder PM4i is a reliable, direct thermal printer ideal for shipping and receiving, inventory control and other industrial applications requiring bar code printing capabilities.

### PROVEN RELIABILITY

Built to last, the EasyCoder PM4i printer has mild steel casing, as well as an optional stainless steel NEMA 4X enclosure, to protect against dirt, dust, heat and moisture in the toughest industrial environments.

This high-speed bar code printer is, in fact, the ideal choice for warehouse, distribution and manufacturing environments.

### PRINTING FEATURES

The EasyCoder PM4i is designed to print high-quality direct thermal labels, but it also functions as a thermal transfer label printer. An optional thermal transfer ribbon is available for the PM4i through Fairbanks' Solutions Group.

The EasyCoder PM4i printer allows the operator to choose a print width up to 4.09 inches. Plus, an unlimited maximum length on label printing makes it a perfect fit for today's bar code standards.

With the PM4i, you can print fan-fold and die-cut tags and tickets.

### FLEXIBILITY

With user-selectable print speeds, the operator can choose print speeds ranging from two to six inches per second at a crisp print resolution of 203 dots per inch.

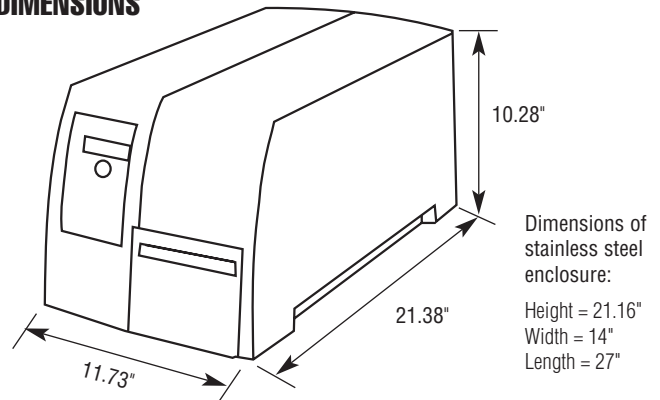


SAMPLE UPC BAR CODE LABEL

### SPECIFICATIONS

Print speed	4 to 8 inches per second (selectable)
Casing	Mild steel
Print resolution	203 dpi (8 dots/mm)
Maximum print width	4.09 inches
Maximum label length	43 inches
Maximum label width	4.1 inches
Label thickness	0.003 to 0.012 inches
Core size	1.5 to 3 inches
Interface	RS232
Memory	2 MB flash; 16 MB RAM
Operating temperature	40° F to 104° F (5° C to 40° C)
Humidity	10 to 90% non-condensing (mild steel); 0 to 100% (stainless steel)
Power requirements	115-230 VAC, 45/65 Hz
Options	Stainless steel NEMA 4X enclosure; thermal transfer ribbon

### DIMENSIONS



### QuickFacts™

Models and specifications subject to change without notice.  
© Fairbanks Scales Inc.  
www.Fairbanks.com

Call toll-free for the Fairbanks representative nearest you:  
**(800) 451-4107**