

# FAIRBANKS®

## FB2550 NEMA 4X INSTRUMENT



Fairbanks Scales' FB2550 NEMA 4X delivers the features and functions you demand for weighing in hostile environments.

### INNOVATIVE AND VERSATILE INSTRUMENTATION

The FB2550 offers notable and adaptable capabilities, providing more features, functionality and connectivity for today's weighing applications.

Since 1830, Fairbanks Scales has led the way in industrial weighing. The FB2550 continues this legacy of performance, exceeding customer expectations for industrial instruments.

### STANDARD FEATURES

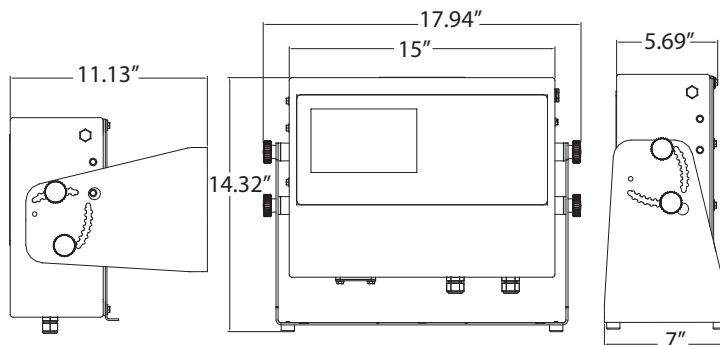
- Large full-color display
- Touch screen operation
- Multiple/expandable serial ports
- Ethernet
- Programmable prompts
- Built-in reporting functions
- IP Camera interface
- Integrated web server
- SQL database

### SPECIFICATIONS

Enclosure	Stainless steel NEMA 4X, desk/wall mount
Processor	1.6 GHz
Memory	1 GB
On-board storage	2 GB
Display	6.0" x 3.5", 7.0" diagonal, 800 x 480 resolution, TFT LCD with LED backlight, Full color graphic with active matrix,
Touch screen	Standard
Keypad	Oversized keys: 0-9, Decimal point, Enter, 5 Function keys, 8 Control keys

Outputs	One (1) RJ45 10/100/1000Base-T Ethernet port; Three (3) RS232C ports: One (1) RS232C/RS485 selectable Two (2) dedicated RS232C; Four (4) USB ports: Three (3) USB 2.0 One (1) USB for remote QWERTY keyboard; One (1) dedicated optically isolated 20mA
Power requirements	100 to 130 VAC or 200 to 260 VAC; 50/60 Hz;
Clock	Real time clock, Day of the week, 12-hour am/pm, Date (month/day/year)
Multiple scales	Up to 8 scales or 62 load cells per instrument
Displayed characters	3/8" tall
Display resolution	10,000 divisions commercial; 50,000 divisions for non-commercial
Capacity	Programmable to 999,999
Displayed units	7 primary and 7 secondary
Calibration & configuration	Parameters can be configured locally at instrument or remotely by means of an ethernet connection and standard browser.
Programmable fields	10
Product files	250,000
Customer files	250,000
Stored tares	500,000
Transaction records	1,000,000 (10,000 with two images)
Reports	Seven (7) onboard configurable reports
Humidity	0 to 100%
Accuracy	Class III/IIIL
Accessories	4-20 mA (passive, 16 bit); Serial expansion card with four additional outputs per card: One (1) RS232C One (1) RS232C/485 selectable One (1) RS232/20mA selectable One (1) RS485; PLC interfaces Profibus, Modbus-RTU, DeviceNet, ControlNet, Ethernet/IP; Peripheral devices Ticket printer, Tape printer, Form printer Remote displays, traffic light, control box, 87 or 105 key QWERTY keyboard
Approvals	NTEP CC# 10-089; MC# AM-5805, ETL

### FB2550 NEMA 4X INSTRUMENT DIMENSIONS



### QuickFacts™

Models and specifications subject to change without notice.  
Printed in the USA. © Fairbanks Scales Inc.



St. Johnsbury manufacturing  
facility registered in  
compliance with ISO 9001.

Call toll-free for the Fairbanks representative nearest you:

**(800) 451-4107**

Internet Address: <http://www.Fairbanks.com>

08/13

100506