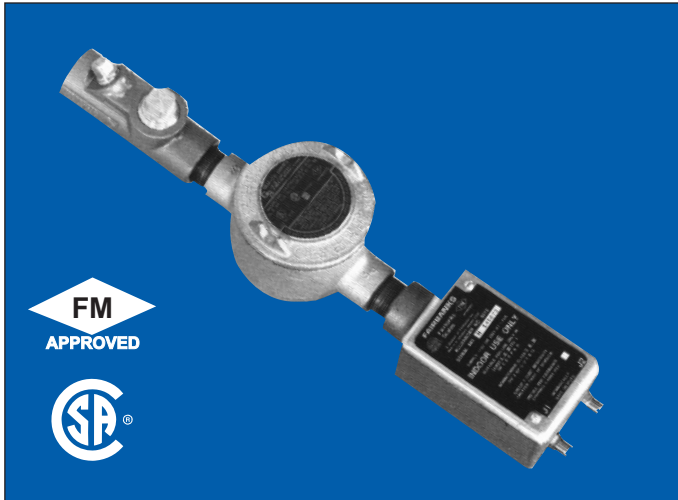


FAIRBANKS®

ACCESSORY 5816 DIRECT POWER SUPPLY



Fairbanks' Accessory 5816 provides intrinsically safe AC power in hazardous environments.

INTRINSICALLY SAFE

Designed to be used in conjunction with Fairbanks' ultra low power instruments, the Accessory 5816 can supply power to two instruments simultaneously. The pre-wired accessory cables can be connected directly within the hazardous environment — up to 50 feet away from each instrument. Operating on AC power, Accessory 5816 eliminates the need for a safe area power supply so you don't have to rely on a battery or charger.

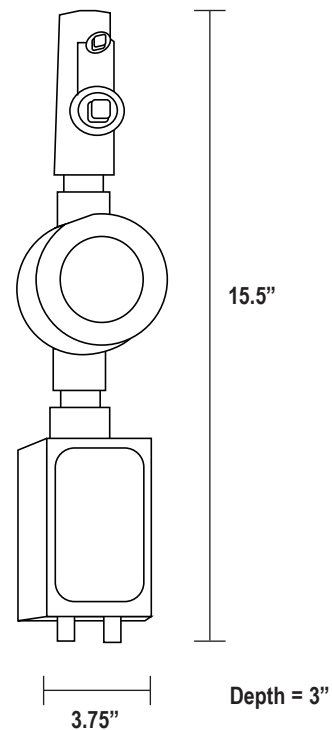
BUILT TO LAST

The potted design of Fairbanks' Accessory 5816 Direct Power Supply encapsulates its internal components to prevent any potential problems. Its tamper-proof design also ensures many years of safe usage for the operator. The enclosure is a cast alloy design with a NEMA 7/9 rated junction box. The electrical power moves through the thick walled, rigid metal conduit via wire splices inside the explosion-proof enclosure. As an added safety measure, the conduit connection is completely sealed with a sealing compound.

SPECIFICATIONS

Enclosure	Cast alloy design; Junction box is NEMA 7/9
Power requirements	120/240 VAC, 50/60 Hz
Accessories	10', 25' and 50' cable lengths
Approvals	Canadian Standards Association, Factory Mutual approvals: Class I, II, III, Division 2, Groups A, B, C, D, E, F, G, T3

DIMENSIONS



QuickFacts™

Models and specifications subject to change without notice.
Printed in the USA. © Fairbanks Scales Inc.

Call toll-free for the Fairbanks representative nearest you:

(800) 451-4107

Internet address: <http://www.Fairbanks.com>