

FAIRBANKS®

PORTABLE UTILITY SCALE 1100 SERIES



Fairbanks' FB1100 Series instrument provides economical digital readout for the most popular mechanical scale in history, first offered in the late 1800s.

PERFORMANCE SPECIFICATIONS

Instrument:

Capacity	1000 x 0.2 lb
Display	2.0" tall, 5½-digit, 7 segment, LCD
Enclosure	ABS plastic enclosure, NEMA 12
Push Button Keys	Units, zero, B/G net, auto tare, on/print, off, over/under
Units	lb, kg
Communications	RS-232 bi-directional
Power	AC or built-in rechargeable battery
Approvals	NTEP CC# 09-091, MC #AM-5745

Base:

Platform size	23.5" x 17.75"
Construction	Cast Iron
Wheels	5.0" diameter, cast iron
Column	Fabricated steel
Scale approval	NTEP CC# 92-110

ECONOMICAL AND EASY TO USE

This 1100 Series utility scale runs on either AC power or a built-in rechargeable battery, enabling it to operate virtually anywhere. An ergonomic handle makes moving the rugged, cast iron platform easy, even in space-limited environments.

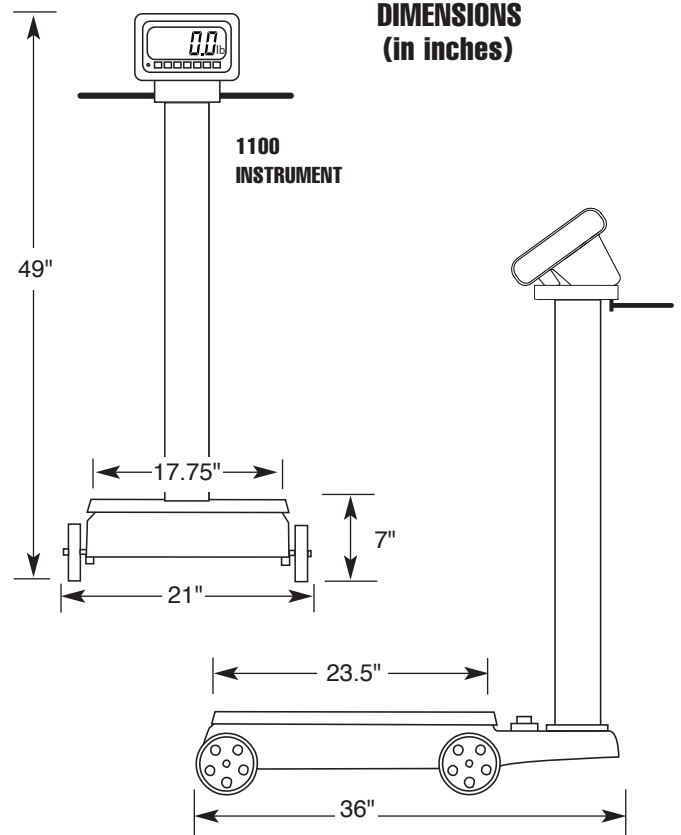
APPLICATIONS

- Material handling
- Inventory management
- Parts distribution
- Warehousing
- Auditing
- Bag filling

FEATURES

- Sturdy cast iron base, lever system, platform and wheels provide years of dependable service.
- Made for easy portability with cast iron wheels and an ergonomic handle.
- Internal, rechargeable lead-acid battery or AC power.
- 100 hours of continuous use.
- Incredibly large 2.0" LCD display.
- A cost-effective solution for basic, portable digital utility scale applications.
- NTEP and MC approved for "Legal for Trade" applications.

DIMENSIONS (in inches)



QuickFacts™

Models and specifications subject to change without notice.
Printed in the USA. © Fairbanks Scales Inc.

www.Fairbanks.com

Call toll-free for the Fairbanks representative nearest you:
(800) 451-4107