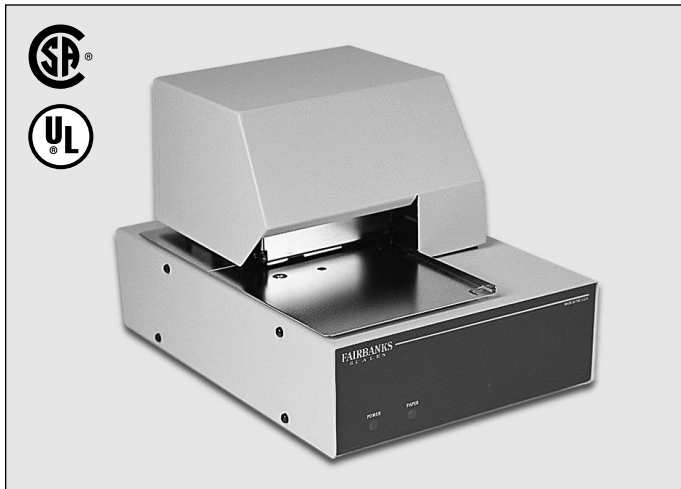


FAIRBANKS®

MODEL 3950 TICKET PRINTER



Fairbanks' Model 3950 is a rugged and dependable ticket printer designed for use in industrial environments.

FAST AND DEPENDABLE

With its bi-directional operation, the Model 3950 is an extremely high speed ticket printer — providing three lines per second. Whether you print single- or multi-ply carbon leaf or carbonless documents and tickets, this printer can do it all. For added assurance, if the 3950 Ticket Printer jams during the printing process, the drive motor will automatically turn off. Plus, the printer can perform a self test to check for proper operation and character form.

FLEXIBLE PRINT FORMAT

The document's print field is 3 inches wide, and it can be located up to one inch from the edge of the paper. Inverted reverse printing allows printing from opposite sides of the document or ticket and expands the effective print field width to 6 inches.

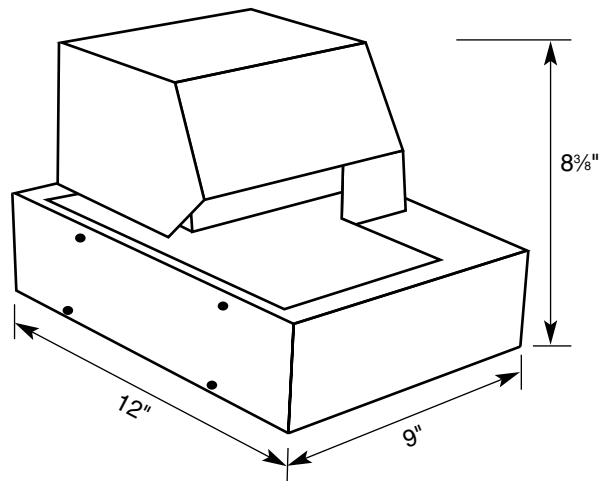
EASY MAINTENANCE

It's never a problem servicing the 3950 Ticket Printer. Built with limited interlocking parts, the printer allows for easy access to internal components.

SPECIFICATIONS

| | |
|-------------------------------|---|
| Power Requirements | 115/230 VAC \pm 10%, 50/60 Hz, grounded 3-wire AC, 200 watts |
| Serial Interface | RS232C/20mA |
| Baud Rate | Selectable from 110, 300, 600, 1200, 2400, 4800 and 9600 |
| Ribbon | Cartridge-type continuous loop with automatic advance |
| Character Height | 0.12 inches |
| Character Width | 0.052 inches standard; 0.104 inches expanded |
| Print Speed | 3 lines per second (bi-directional) |
| Print Line Length | 3 inches |
| Characters per line | 40 characters per line with normal characters; 20 characters per line with expanded characters |
| Document Thickness | 0.01 to 0.018 inch range |

DIMENSIONS



QuickFacts™

Models and specifications subject to change without notice.
Printed in the USA on recycled paper. © Fairbanks Scales Inc.

Call toll-free for the Fairbanks representative nearest you:

(800) 451-4107

Internet Address: <http://www.Fairbanks.com>