

FAIRBANKS®

MODEL 50-3960 TICKET PRINTER



This rugged, dot matrix ticket printer is ideal for light industrial applications requiring a printed ticket.

VERSATILE

This ticket printer provides high speed ticket printing on single, multi-ply, carbonleaf or carbonless scale tickets.

FAST AND DEPENDABLE

Fairbanks' Model 50-3960 uses a long-life, uni-directional, shuttle-impact dot matrix print head. Sensors determine top and bottom of form to ensure proper imprinting.

FLEXIBLE, RELIABLE PRINT FORMAT

A print width of 2.6 inches can be located on the scale ticket with a top margin of one inch and a right-hand margin of 0.25 inch. When used with a compatible Fairbanks' instrument, data can be formatted to print as desired within these parameters. The printer can also perform a self-test to check for proper operation and character form.

SAMPLE PRINT (actual size)

100000 1b GR
2000*1b TA
98000 1b NT

Regular Print

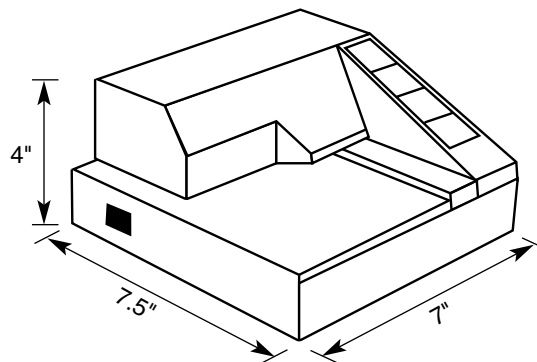
100000 1b GR
2000*1b TA
98000 1b NT

Expanded Print

SPECIFICATIONS

Power	115 VAC \pm 10%, 50/60 Hz grounded, 3 wire AC; 50/50 Hz grounded, 3 wire AC, 230 VAC \pm 10%, (available only through inquiry only)
Power Supply Output	24 volts DC \pm 10%, 600 mA 5.5A peak
Humidity	30% to 85% relative humidity, non-condensing
Input	RS232C Serial
Baud Rate	Selectable form 110, 150, 300, 600, 1200, 4800 and 9600
Control Buttons	Paper forward; paper reverse; paper release
Control LEDs	Power; release; paper out
Character Height	0.114 inches
Character Width	0.059 inches standard; 0.126 inches expanded
Print Line Length	2.59 inches
Print Speed	2.1 lines per second uni-directional
Characters Per Line	35 cpl with 0.07 inch wide characters; 17 cpl with 0.14 inch wide characters
Document Thickness	With factory setting of 0.03 to 0.011 inches, up to four copies with carbonless paper; two copies with carbon interleaf
Document Stop	Adjustable from 1.04" to 1.44" and the document stop is removable
Line Feed	Auto advance reversal of document feed
Ribbon	Cartridge-type continuous loop with automatic advance
Input Connector	25 pin D subminiature (female)

DIMENSIONS



QuickFacts™

Models and specifications subject to change without notice.
Printed in the USA on recycled paper. © Fairbanks Scales Inc.

Call toll-free for the Fairbanks representative nearest you:

(800) 451-4107

Internet Address: <http://www.Fairbanks.com>