

FAIRBANKS®

420 FORM PRINTER



The 420 Form Printer offers faster print speed and paper feed than any other printer in its class, with a printhead designed to last twice as long as competing dot matrix printers.

FAST AND RELIABLE

When it comes to sheer print speed, the 420 Form Printer turns out a blazing 430 characters per second (cps) in high-speed draft print mode, 320 cps in utility mode and 80 cps in near-letter quality mode. These speeds are measurably faster than other 9-pin dot matrix printers. With a life expectancy of more than 200 million characters and a 4-million character long-life ribbon, you can rely on the 420 to get the job done.

OPTIMAL OUTPUT FOR VARIED PAPER TYPES

The 420 features three separate paper paths with zero-tear/zero-print position, as well as the patented OKISMART paper handling system for hassle-free switching between paper types. No more paper jams or uneven print quality. For continuous smooth operation, the 420 reads and learns, automatically adjusting to the paper you feed it. With the 420, you get perfect output on single sheets, card stock, multi-part forms (up to six parts) and labels. What's more, envelopes print flawlessly, with no jams or smears.

COST SAVINGS FEATURES

The 420 Form Printer also saves money. This printer uses less power, works more efficiently and features a printhead with twice the life of ordinary dot matrix printers. You can also reduce paper costs with the optional bottom-pull tractor's zero-tear function, which allows printing on "difficult" media without wasting forms.

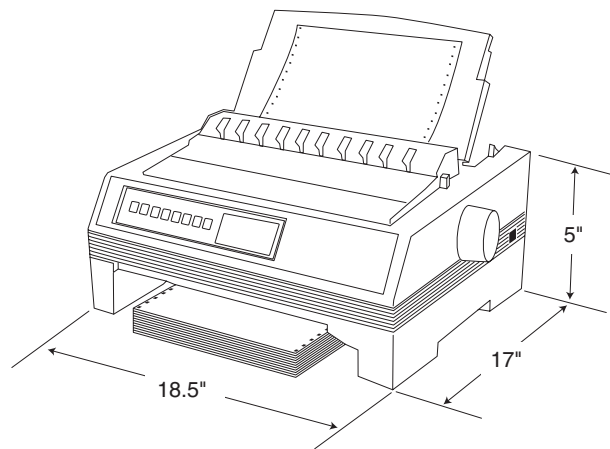
SPECIFICATIONS

| | |
|---------------------|---|
| Printhead | 9 pin (.34 mm diameter) Serial Impact Dot Matrix |
| Print speed | 80 cps Near Letter Quality 325 cps Utility 435 cps High Speed Draft |
| Maximum characters | 80 (Per line @ 10 cpi) |
| Interface types | Centronics® compatible parallel; USB; RS232 |
| Resident typestyles | Courier; Gothic (Near Letter Quality) |
| Power requirements | 120 VAC + 6%/-15% |
| Printhead life | 400 million characters |
| Ribbon life | 4 million characters |
| Weight | 17.6 lb (8 kg) |
| Approval | UL |

Paper handling:

| | |
|------------------|--|
| Cut sheets | 7.2" - 8.5" (18.3 - 21.6 cm) wide |
| Continuous forms | 3" - 10" (7.6 - 25.4 cm) wide |
| Card stock | 5" - 8" (12.7 - 20.3 cm) wide |
| Envelopes | Single, 9.5" x 4.1" (24.1 cm x 10.4 cm) |
| Paths | Rear and top standard; Bottom with optional pull tractor |
| Paper stock | Blank 4-part tickets (case) order #96799 ; Blank 2-part tickets (case) order #96801 |

DIMENSIONS



QuickFacts™

Models and specifications subject to change without notice.
Printed in the USA. © Fairbanks Scales Inc.

Call toll-free for the Fairbanks representative nearest you:

(800) 451-4107

Internet Address: <http://www.Fairbanks.com>