

# FAIRBANKS®

## 9402 SERIES JOURNAL PRINTER



Fairbanks' 9402 Series is a rugged journal tape printer encased in a stainless steel enclosure. This printer is designed to handle a running journal of your print records.

### PRINT CAPABILITIES

The 9402 Series prints high quality journal records of the labels which you have printed. And for added printing convenience, you can use either ordinary bond paper or carbonless copy paper.

### DEPENDABLE

The 9402 Series Journal Printer is housed in a rugged, stainless steel enclosure, so it is well-suited for every day use in harsh environments.

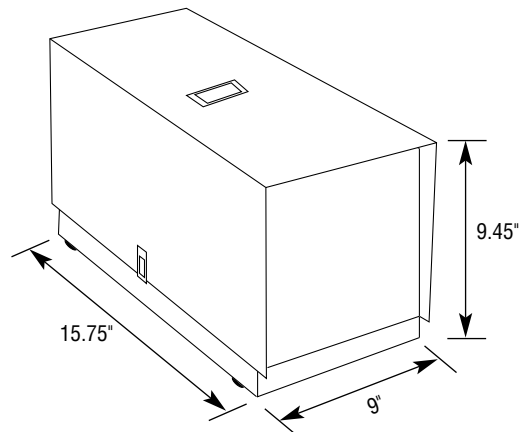
### SPECIFICATIONS

Roll Diameter . . . . .	One-ply maximum = 2.25 inches; Two-ply maximum = 3 inches
Paper Type . . . . .	Ordinary bond; Carbonless copy paper
Paper Width . . . . .	2.25, 3 and 3.25 inches
Paper Thickness . . . . .	One-ply = 0.07 to 0.1 mm; Two-ply = 0.06 to 0.08 mm (upper paper) and 0.05 to 0.08 mm (lower paper)
Maximum Label Thickness . . .	0.14 mm
Humidity . . . . .	10 to 90% non-condensing
Power Requirements . . . . .	110-230 VAC, 50/60 Hz

### SAMPLE JOURNAL PRINT OUT

Station No	: 7	9:17 AM	12-07-99
Product Code	: 00004		
Tare	: 0.50 lb		
Box Net	: 7.65 lb		
Box Serial	: 000107		
Station No	: 7	9:17 AM	12-07-99
Product Code	: 00004		
Tare	: 0.50 lb		
Box Net	: 7.60 lb		
Box Serial	: 000108		
Station No	: 7	9:18 AM	12-07-99
Product Code	: 00004		
Tare	: 0.50 lb		
Box Net	: 7.65 lb		
Box Serial	: 000109		
Station No	: 7	9:18 AM	12-07-99
Product Code	: 00004		
Pallet Serial	: 0028		
Pallet Net	: 228.75 lb		
Pallet Serial	: 0030		

### DIMENSIONS



### QuickFacts™

Models and specifications subject to change without notice.  
© Fairbanks Scales Inc.  
www.Fairbanks.com

Call toll-free for the Fairbanks representative nearest you:  
**(800) 451-4107**