

FAIRBANKS®

3400 SERIES GENERAL PURPOSE DIRECT THERMAL PRINTER



Fairbanks' 3400 Series is a rugged, direct thermal printer ideal for shipping and receiving, inventory control and other industrial applications requiring bar code printing capabilities. It's available in a stainless steel or mild steel enclosure.

PROVEN RELIABILITY

Built to last, the 3400 Series printer features both a stainless and mild steel metal casing to handle the toughest environments — protecting it against both dirt and dust. This Fairbanks bar code printer is the ideal choice for warehouse, distribution and manufacturing environments.

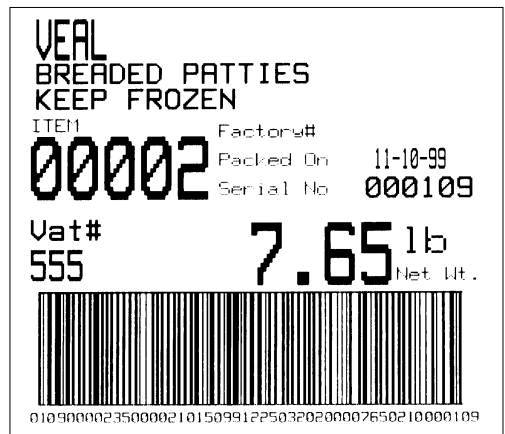
PRINTING FEATURES

The 3400 Series has been designed to print high quality direct thermal labels. An optional thermal transfer ribbon is also available through Inquiry for thermal transfer printing. The 3400 Series General Purpose Direct Thermal Printer allows the operator to choose a print width up to 4.1 inches. Plus, an unlimited maximum length on label printing makes it suitable for today's bar code standards. With the 3400 Series you can print fan-fold, die-cut, tags and tickets.

FLEXIBILITY

With user-selectable print speeds, the operator can choose print speeds ranging from two to six inches per second at a crisp print resolution of 203 dots per inch.

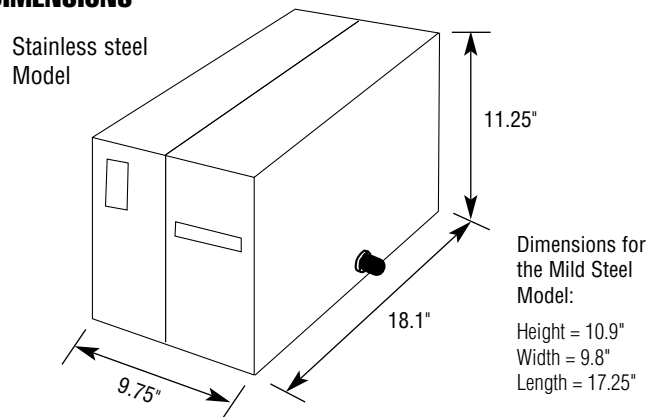
SAMPLE LABEL



SPECIFICATIONS

Print Speed 2, 3, 4, 5 or 6 inches per second (selectable)
Enclosure Stainless steel; Mild steel
Print Resolution 203 dots per inch
Print Element 0.00492 inches
"X" Dimension 0.13 to 1.27 mm
Maximum Print Width 4.09 inches
Maximum Label Length . . . Unlimited
Maximum Label Width 4.1 inches
Label Thickness 0.003 to 0.012 inches
Core Size 3 inches
Operating Temperature . . . 40° F to 104° F (4° C to 40° C)
Humidity 10 to 90% non-condensing (mild steel);
0 to 100% (stainless steel)
Power Requirements 100-230 VAC ± 10%, 50/60 Hz

DIMENSIONS



QuickFacts™

Models and specifications subject to change without notice.
© Fairbanks Scales Inc.
www.Fairbanks.com

Call toll-free for the Fairbanks representative nearest you:
(800) 451-4107