

FAIRBANKS®

4420 SERIES DIRECT THERMAL PRINTER



Fairbanks' 4420 Series is a heavy duty thermal printer designed to handle the rigors of high volume industrial applications. The printer is available with a stainless steel enclosure for protection against wet environments.

SUPERIOR PERFORMANCE

The 4420 Series Direct Thermal Printer delivers fast, reliable printing at an affordable price. Built to provide many years of service, these rugged printers can handle the demands of every day use in harsh environments.

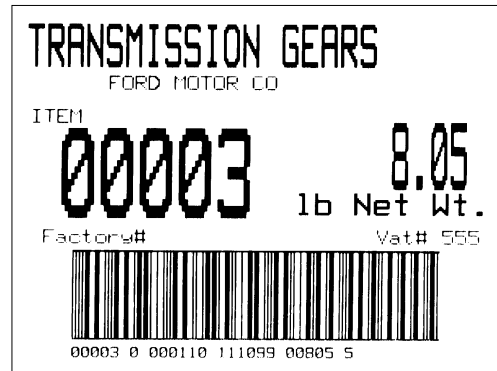
VERSATILE

The 4420 Series prints high quality direct thermal labels, plus it can handle thermal transfer printing when using an optional thermal transfer ribbon. For added printing flexibility, the 4420 Series Direct Thermal Printer can print continuous fan-fold labels, die-cut, tags and tickets.

PRINTING OPTIONS

The 4420 Series offers user-selectable print speeds, so you can choose print speeds ranging from two to eight inches per second at a print resolution of 203 dots per inch. The maximum print width is 4.4 inches, but the print length is unlimited.

SAMPLE LABEL

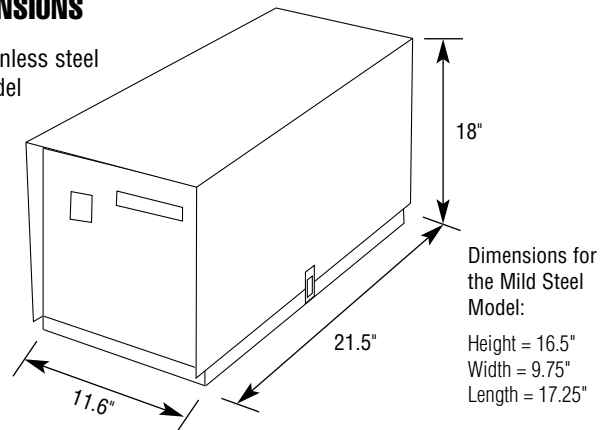


SPECIFICATIONS

Print Speed 2, 3, 4, 5, 6, 7, 8 inches per second (selectable)
Print Resolution 203 dots per inch
Maximum Print Width 4.4 inches
Minimum Print Length Unlimited
Print Element 0.00492 inches
Label Style Roll-feed, die-cut, continuous or fan-fold labels, tags or tickets
Label Type Direct thermal
Label Width 4.5 inches (maximum); 0.75 inches (minimum)
Label Length 48 inches (maximum); 0.5 inches (minimum)
Label Thickness 0.0003 to 0.012 inches
Ventilation Free air
Humidity 10 to 90% non-condensing (mild steel);
0 to 100% (stainless steel)
Power Requirements 110-230 VAC, 50/60 Hz

DIMENSIONS

Stainless steel
Model



QuickFacts™

Models and specifications subject to change without notice.
© Fairbanks Scales Inc.
www.Fairbanks.com

Call toll-free for the Fairbanks representative nearest you:
(800) 451-4107