

FAIRBANKS®

1520 ACCESSORY REMOTE DISPLAY & REMOTE DISPLAY PILLAR STAND



Fairbanks' 1520 Accessory Remote Display offers the ability to easily read shipping scale weight at the work station or from across the room. The Remote Display Pillar Stand provides a durable custom mounting system for the display.

MADE TO SUPPORT FAIRBANKS' ULTEGRA® & ULTEGRA® MAX

The 1520 Accessory is designed for use with Fairbanks brand Ultegra® and Ultegra® Max Parcel Shipping Scales. This remote display features incredibly tall digits that are extremely easy-to-see, increasing work flow in fast-paced parcel shipping environments.

The Remote Display Pillar Stand can be used with both the 1520 and 1500 remote display accessories.

SPECIFICATIONS

1520 Accessory Remote Display

Digital type	Liquid crystal display
Display description	7-segment, 5-digit
Digit color	Black
Digit height	1 ½" tall
Annunciators	Units and zero
Units	Pounds and kilograms
Operating temperature	14° F – 110° F

Remote Display Pillar Stand

Construction	Mild steel
Finish	Black, powder coat

1520 ACCESSORY FEATURES

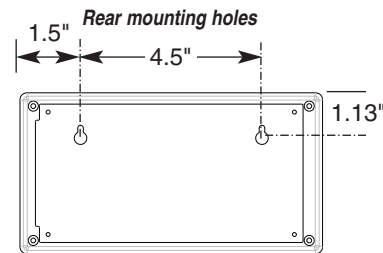
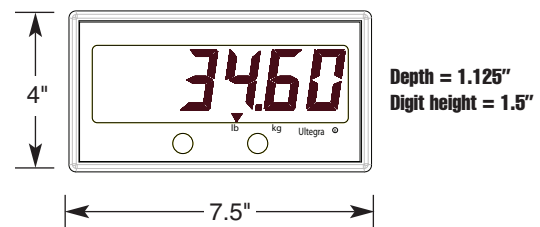
- Large 1 ½" tall display
- Liquid crystal display
- Lightweight
- Durable
- Easy-to-see
- Flexible mounting
- Scale provides power (no external power required)

REMOTE DISPLAY PILLAR FEATURES

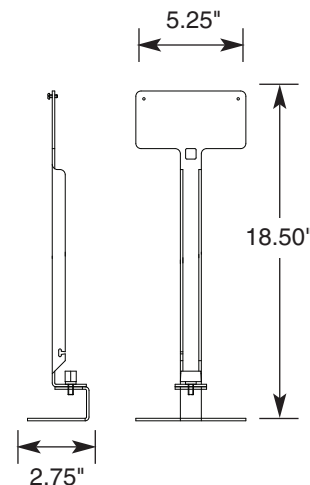
- Extremely rugged design
- Durable powder coat paint
- Pivots for easy viewing
- Simple mounting

DIMENSIONS

1520 Accessory Remote Display



Remote Display Pillar Stand



QuickFacts™

Models and specifications subject to change without notice. Printed in the USA. © Fairbanks Scales Inc.



St. Johnsbury manufacturing facility registered in compliance with ISO 9001.

Call toll-free for the Fairbanks representative nearest you:

(800) 451-4107

Internet Address: <http://www.Fairbanks.com>