

FAIRBANKS®

7421 SERIES BASIC LABEL PRINTER



Fairbanks' 7421 Series is a compact, yet powerful, direct thermal printer designed for general purpose bar code applications.

RELIABLE AND DEPENDABLE

Small and lightweight, the 7421 Series is the perfect choice for users with restricted desktop space, yet need a printer that is built to withstand many years of every day use.

FLEXIBLE

Fairbanks' 7421 Series Basic Label Printer is also available to handle thermal transfer printer when using an optional thermal transfer ribbon. Able to handle all your bar code applications with or without human readable text, this durable printer also allows you to print continuous fan-fold labels, die-cut, tags or tickets.

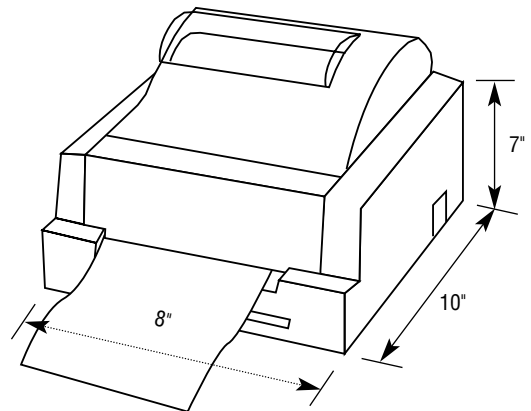
PRINTER CAPABILITIES

The 7421 Series provides clear and legible labels at 203 dots per inch at a speed of 2 inches per second. It can handle a range of label sizes — a maximum label width of 4.65 inches and a maximum label length of eight inches.

SPECIFICATIONS

Print Speed	2 inches per second
Print Resolution	203 dots per inch
Maximum Print Width	4.09 inches
Bar Code Specifications	Can be printed with or without human readable text
Label Style	Roll-fee, die-cut, continuous or fan-fold labels, tags or tickets
Label Type	Direct thermal
Label Width	4.65 inches (maximum); 1.12 inches (minimum)
Label Length	8 inches (maximum); 0.38 inches or 0.5 inches when using label present sensor (minimum)
Label Thickness	0.003 to 0.01 inches
Operating Temperature	40° F to 104° F (4° C to 40°C)
Humidity	10 to 90% non-condensing
Ventilation	Free air
Power Requirements	100-240 VAC, 60/50 Hz, 2.5 amps

DIMENSIONS



QuickFacts™

Models and specifications subject to change without notice.
© Fairbanks Scales Inc.
www.Fairbanks.com

Call toll-free for the Fairbanks representative nearest you:
(800) 451-4107