

# FAIRBANKS®

## ACCESSORIES FOR THE 2800 SERIES INTRINSICALLY SAFE INSTRUMENT WITH INTALOGIX®



The 2800 Series Intrinsically Safe Instrument with Intalogix Technology can be tailored to your application by interfacing with a variety of Fairbanks accessories.

### 2800 SERIES PRODUCT FAMILY WILL MEET YOUR NEEDS

Fairbanks has made it easy to create the perfect intrinsically safe environment for your operation with the 2800 Series Instrument and one or more of the following low-cost Fairbanks accessories.

#### 2860 DATA CONVERTER ①

The 2860 is a safe area, fiber optic converter box. This accessory receives fiber optic communication from the 2800 via 5806 fiber optic cable and converts the data to RS 232, 20 mA or Smart 4 to 20 mA for communication with printers, PCs and other technologies. The 2860 can be located up to 200 feet away from the 2800 instrument.

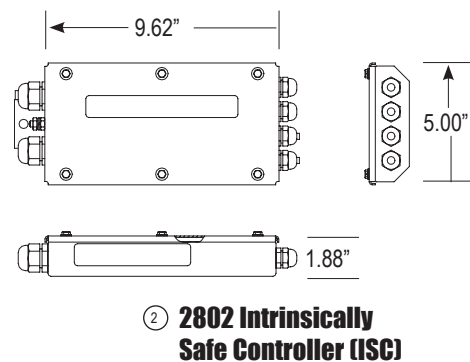
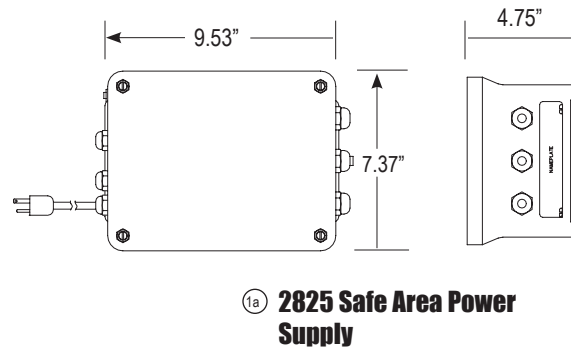
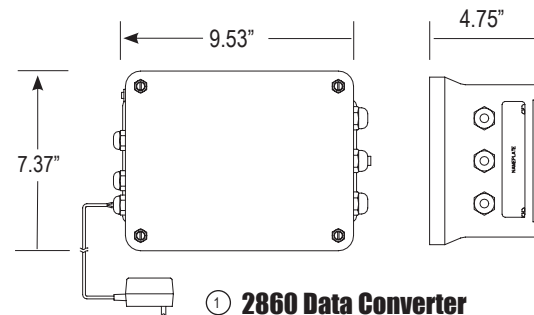
#### 2825 SAFE AREA POWER SUPPLY ①a

When interfaced with the 2800, the 2825 provides a safe area AC power source that eliminates the need for battery power. The 2825 is not Factory Mutual approved for Groups A or B when used with the 2802 Intrinsically Safe Controller. It's FM approved for all Groups, Classes and Divisions when used with the 2880 Analog Load Cell Interface. Enclosure identical to 2860.

#### 2802 INTRINSICALLY SAFE CONTROLLER ②

Fairbanks' 2802 is a digital load cell interface box that converts a standard analog load cell signal to a digital signal. The 2802 provides optic isolation. Each ISC controls up to four load cells.

### DIMENSIONS



### QuickFacts™

Models and specifications subject to change without notice.  
Printed in the USA. © Fairbanks Scales Inc.

Call toll-free for the Fairbanks representative nearest you:  
**(800) 451-4107**

Internet Address: <http://www.Fairbanks.com>

# FAIRBANKS®

## ACCESSORIES FOR THE 2800 SERIES INTRINSICALLY SAFE INSTRUMENT

### 2850 RELAY BOX ③

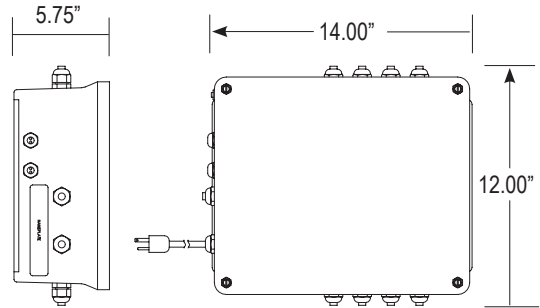
The 2850 accessory is a safe area setpoint relay box. It holds eight type 'C' relays, which are included with the accessory, and connects to the 2800 instrument via 5806 fiber optic cable offering four modes of setpoint operation.

*Relay specifications: 24 VDC; 1 CA@28VDC, 120 VAC; 1/3 HP @ 120 VAC, 240 VAC*

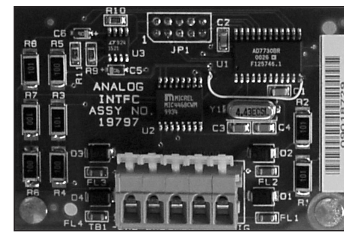
### 2880 ANALOG LOAD CELL INTERFACE ④

The 2880 plugs inside the 2800 instrument and allows up to 16 (350 or 1,000 ohm) analog load cells to be interfaced. The user can replace virtually any other Intrinsically Safe instrument, even in analog applications.

### DIMENSIONS

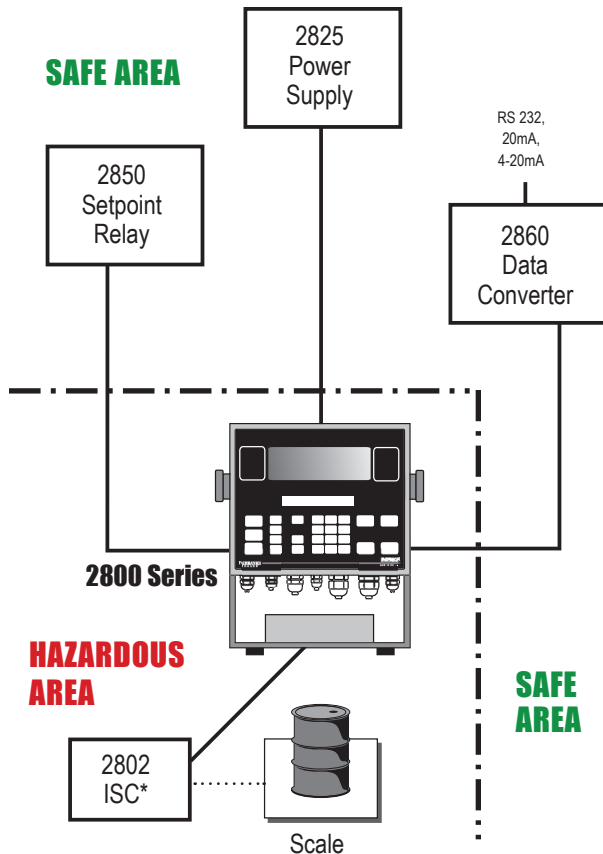


③ 2850 Relay Box



④ 2880 Analog Load Cell Interface

### 2800 Indicator System Schematics



\* 2802 Intrinsically Safe Controller installs inside the scale.

### APPROVALS

NTEP CC# 01-009,

Factory Mutual approval for the following:

**2800 with analog load cell and battery power**

Groups A, B, C, C E, F & G

Class I, II & III

Division 1 & 2

**2800 with Intalogix load cell (2802 ISC) and battery power**

Groups A, B, C, C E, F & G

Class I, II & III

Division 2

### QuickFacts™

Models and specifications subject to change without notice.  
Printed in the USA. © Fairbanks Scales Inc.

Call toll-free for the Fairbanks representative nearest you:

**(800) 451-4107**

Internet Address: <http://www.Fairbanks.com>