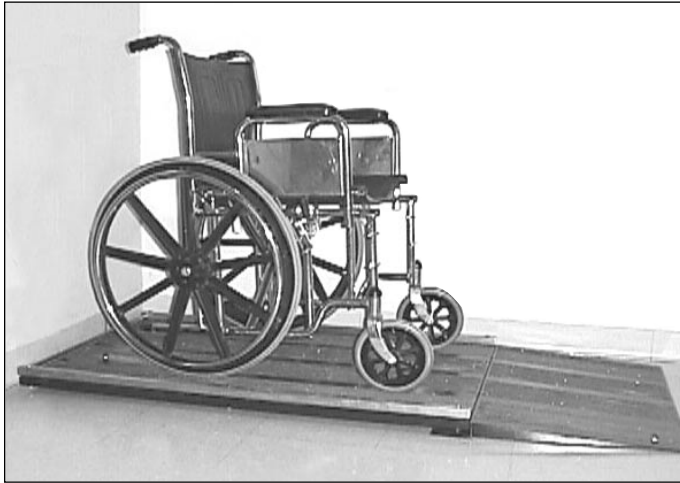


FAIRBANKS®

WHEELCHAIR SCALE



Heavy-duty construction, large platform with integral ramp, and a 1,000 pound capacity make this the perfect medical scale for weighing patients in manual or power wheelchairs.

LOW PROFILE, EASY-ACCESS DESIGN

The platform height is a mere 1.85 inches, providing high stability and easy wheelchair access.

The 31.5" x 47.25" weighing platform and scale access ramp accommodate over-sized wheelchairs and geriatric (recliner) chairs. Because this scale was designed for wheelchair patient weighing, it features a floor-hugging, non-skid ramp.

MULTI-USE MAKES THIS SCALE ECONOMICAL

While designed for use by non-ambulatory patients, Fairbanks' Wheelchair Scale is versatile enough for most ambulatory patient applications, making it an economical choice to meet the weighing needs of most hospital or long-term care facility patients.

Instead of multiple scales, this one scale can do it all.

Fairbanks Wheelchair Scale is also a choice scale for dietary weight loss centers, where obese individuals may have problems keeping their balance on the small platforms found on typical health scales.

STATE-OF-THE-ART DESIGN

Get the accuracy and durability demanded in the medical profession with the Wheelchair Scale's heavy-duty, steel base design.

This scale employs the latest in microprocessor and load cell technology to provide accurate and repeatable weight data. Four (4) load cells are strategically placed to ensure an accurate representation of the patient's weight, regardless of weight distribution.

The patient's weight is displayed on a 6-character, LCD, digital display. Weight is viewed in pounds or, with the push of a button, kilograms. The weight indicator can be mounted remotely on a wall for convenient viewing. Setup is simple and quick, because Fairbanks' Wheelchair Scale is pre-calibrated at the factory.

FEATURES

- Oversized platform accommodates electric and extra-large wheelchairs.
- Multi-use — Scale can handle wheelchairs, geriatric chairs, recliner chairs, standard chairs or stand-ons.
- Smooth deck with non-skid strips and integral wheel stop.
- Automatic zero.
- One button zero.
- Successive Weighing — Weigh a continuous stream of patients without re-zeroing.

SPECIFICATIONS

See back side of this page.

QuickFacts™

Models and specifications subject to change without notice.
Printed in the USA on recycled paper. © Fairbanks Scales Inc.

Call toll-free for the Fairbanks representative nearest you:

(800) 451-4107

Internet Address: <http://www.Fairbanks.com>

03/04

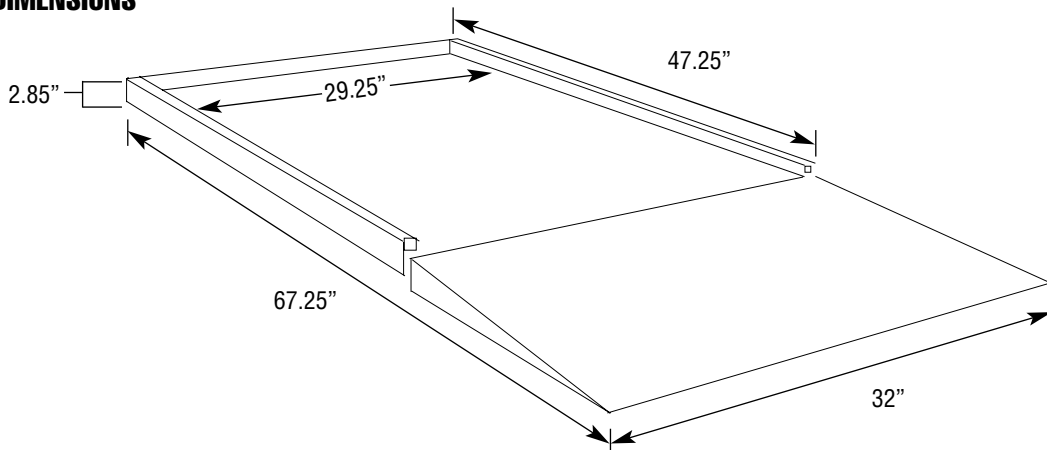
100561

WHEELCHAIR SCALE

SPECIFICATIONS (SCALE & RAMP)

- Overall Dimensions (Includes ramp)
Length=67.25"; Width=32"; Height=2.85"
- Platform Dimensions Length=47.25"; Width=31.5"; Height=1.85"
- Weighing Platform Size . . . Length=46"; Width=29.5"; Height=1.85"
- Platform surface Smooth deck with non-skid strips
- Construction Heavy-duty steel
- Max Capacity 1,000 pounds
- Resolution 0.1 lb/kg
- Power 12 VAC 60 Hz 12 W AC power adapter
(Output = 12 VDC 500 mA)

DIMENSIONS



SPECIFICATIONS (REMOTE INDICATOR)

- Display 6-digit, 0.9" high, LCD
- Cable 8-foot
- Display Modes Pounds, Kilograms
- Mounts Wall Mount or Pillar Bracket

DIMENSIONS

