

FAIRBANKS®

PORTABLE DIGITAL UTILITY SCALE 1127 SERIES



Fairbanks Series 1127 combines digital electronics with reliable, mechanical weighing to create a general purpose, 1,000 pound, digital utility scale that is approved for commercial applications.



PERFORMANCE SPECIFICATIONS

Capacity.....	1000 x 0.2 lbs.
Display.....	0.75" high, 6-digit, 7 segment, red LED
Enclosure.....	ABS plastic enclosure with SST faceplate
Keypad.....	Full numeric, with tactile feedback
Push Button Keys.....	Tare, auto-tare, print, gross/net, units, enter, program, scroll, I.D. (6 characters)
Units.....	Pounds, kilograms, ounces, grams, pounds and ounces, selectable as primary or secondary units
Communications.....	RS232C, RS485, 20 mA
Accessories.....	Time/date print module, Smart 4-20 analog output (passive)
Power.....	AC or Six "D" cell batteries
Approvals.....	NTEP CC# 92-110; MC #AM-5286

ECONOMICAL AND EASY TO USE

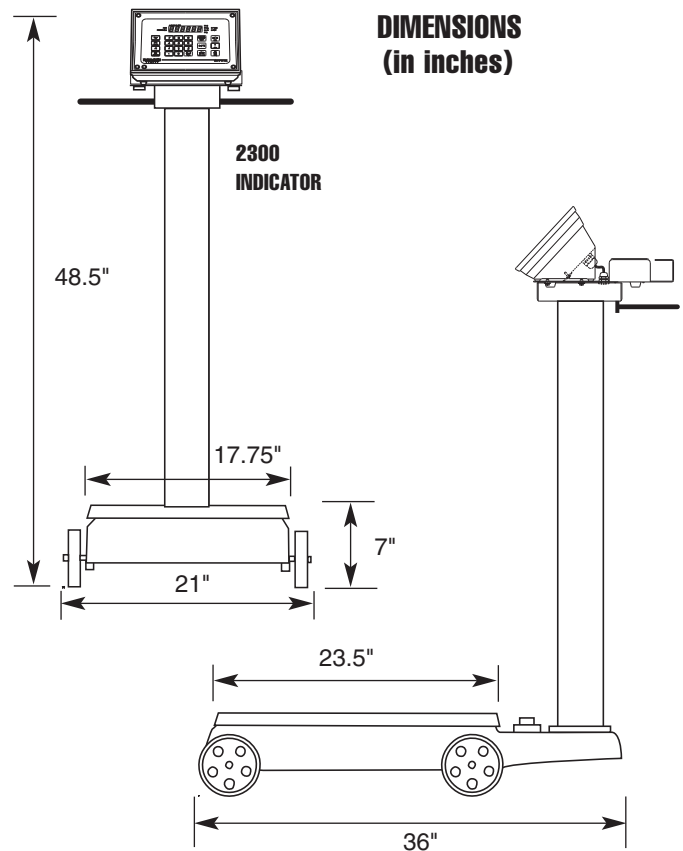
This portable, cast iron scale runs on AC or battery-power, enabling it to operate virtually anywhere. Easy-rolling wheels and a new, non-slip, ergonomic handle make moving the scale a simple task.

APPLICATIONS

- Material handling
- Parts distribution
- Auditing
- Inventory management
- Warehousing
- Bag filling

FEATURES

- Sturdy cast iron base, lever system, platform and wheels provide years of accurate service.
- Made for easy portability with cast iron wheels and new, non-slip, ergonomic handle.
- Battery or AC power.
- Fairbanks' low-power technology enables batteries to last through 125 hours of continuous use.
- Red LED is easy to read in a variety of lighting conditions.
- Auto-switching, programmable sample sizes and automatic tare functions.
- NTEP and CWM approved for "Legal for Trade" applications.



DIMENSIONS (in inches)

QuickFacts™

Models and specifications subject to change without notice.
Printed in the USA. © Fairbanks Scales Inc.

www.Fairbanks.com

Call toll-free for the Fairbanks representative nearest you:
(800) 451-4107