

# FAIRBANKS®

## REMOTE DISPLAY 1500 SERIES



Fairbanks' remote display can be used in applications where a weight display from a distance is necessary — offering a comfortable viewing range up to 160 feet away on the 5.5" model.

### EASY TO READ

The 1500 Series remote displays are designed for applications where equipment operators and other users need to visually know weight readings at some distance from the primary indicator. The large, high intensity, red digits allow the reading to be seen clearly at a distance of up to 160 feet on some models. An added benefit is the "reflect" mode. If selected, this mode displays the weight information so it can be viewed in a mirror.

### TOUGH, DEPENDABLE DESIGN

As with all Fairbanks products, the 1500 Series remote displays are not only reliable, they are extremely durable. In addition, these displays conform with the National Institute of Standards and Technology Handbook 44 (NTEP) when used in conjunction with a Fairbanks instrument. The 1505 model features a NEMA 3 rated steel enclosure so it can be mounted outdoors in moist or dusty environments without damage to its electronic circuitry. The 1501 model features a NEMA 4X stainless steel enclosure that's perfect for a variety of applications, even those in washdown environments.

### LEARNING CAPABILITIES

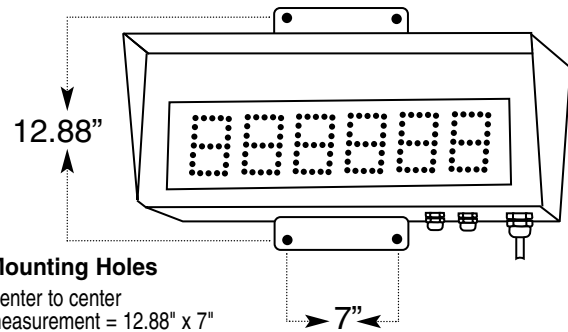
Fairbanks' 1500 Series remote displays feature unique programmable learning communications which enable them to be used with nearly every type of scale instrument.

### SPECIFICATIONS

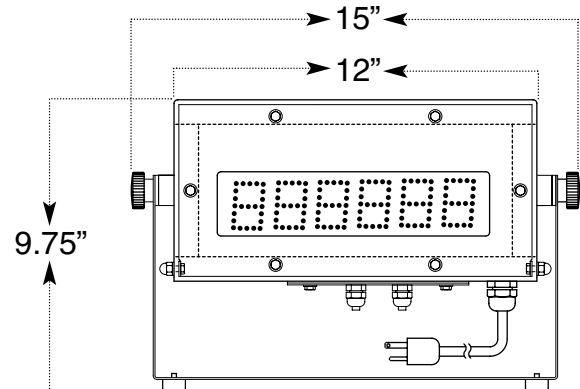
Model Number	1500	1501
Display	Six digits, 5.5" high	Six digits, 1.5" high
Viewing Distance	Up to 160 feet	Up to 60 feet
Max. Cable Length	1000 feet (20mA), 50 ft (RS232C)	
Power	117 VAC ± 15%, 50/60 Hz, 100mA	
Enclosure	NEMA 3 rated	NEMA 4X stainless steel
Input	RS232C or 20mA (active or passive)	
Digit Color	High intensity red LED	
Storage Temp.	0° F to 150° F (-18° C to 66° C)	
Humidity	0% to 100% non-condensing	
Shipping Weight	30 lbs (13 kg)	15 lbs (6.5 kg)

### DIMENSIONS

**1505:** Width = 27"; Height = 10.5" (16.5" w/bracket); Depth = 8"



**1501:** Width = 12"; Height = 6" (9.75" w/bracket); Depth = 5.625"



### QuickFacts™

Models and specifications subject to change without notice.  
Printed in the USA on recycled paper. © Fairbanks Scales Inc.

Call toll-free for the Fairbanks representative nearest you:

**(800) 451-4107**

Internet Address: <http://www.Fairbanks.com>