

FAIRBANKS®

2500 ANALOG SERIES INSTRUMENTS



Designed with operator ease in mind, the 2500 Analog Series makes weighing a very simple process, with limited keystrokes and an easy-to-read display.

VERSATILE AND EASY-TO-USE

Selectable operation modes — such as in/out weighing or gross-tare-net weighing, with or without store tare function, stored product or customer information — allow the 2500 Analog Series Instruments to be configured to meet precise application needs. A large, backlit graphic display provides simple, concise operator instructions for easy system navigation. The 2500 Analog Series is available in a variety of enclosures, including standard desktop, stainless steel, NEMA 4X wall mount, panel mount and rack mount.

MULTIPLE APPLICATION CAPABILITIES

Fairbanks' 2500 Analog Series instruments allow you to operate a single instrument for all your applications, while receiving the added benefits of flash memory technology. A single model can be used in a variety of applications by simply "flashing" in a new application. Some of the applications available include predictive cutoff, networking configurations, full length and short platform axlematic configurations. A flash application library is available

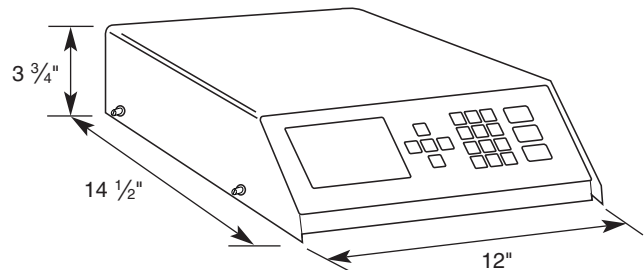
on some models. It is that versatile! As your needs change, so can your instrument, without making any hardware changes to your existing system.

FLEXIBLE INTERFACING

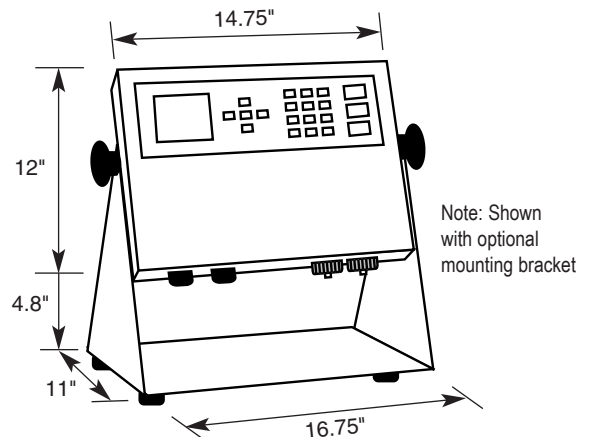
Some models in the 2500 Analog Series are compatible with a PLC interface. From one instrument, you have the ability to choose from four of the leading fieldbuses, including Profibus®, ControlNet®, DeviceNet®, EtherNet® and Modbus® Plus.

DIMENSIONS:

2500 Analog Series Desktop Model



2500 Analog Series Wall Mount Model



QuickFacts™

Models and specifications subject to change without notice.
Printed in the USA. © Fairbanks Scales Inc.

Call toll-free for the Fairbanks representative nearest you:

(800) 451-4107

Internet Address: <http://www.Fairbanks.com>

FAIRBANKS®

2500 ANALOG SERIES INSTRUMENTS

SPECIFICATIONS FOR THE INSTRUMENTS

Models	2500-AF1 desktop; 2500-AF1 NEMA 4X wall mount; 2500-AF2 desktop; 2500-AF2 NEMA 4X wall mount;	Reports	Two transaction reports are customer programmable to generate any or all portions of a transaction record in a prioritized order
Display	3.06" x 3.72" LCD, LED backlit graphics	Keyboard	Oversized keypad, nine function keys, numeric keys 0-9, and decimal point
Displayed characters	0.5"	Clock	Real time clock, day of the week, 12-hour am/pm, month/day/year date
Display resolution	10,000 divisions commercial 20,000 divisions for non-commercial	Modem service	Hayes compatible modems from 300-19,200 baud
Capacity	Programmable to 999,999	Number of cells	Maximum of 10-350 ohm or 16-1,000 ohm cells
Displayed units	16 programmable options	Serial inputs/outputs for all models	COM 2 = Full 9-pin (modem compatible) RS232C; COM 3 = RS232C (4-wire); Dedicated 20mA optically isolated remote display interface
Calibration and configuration	Parameters can be downloaded or uploaded from a computer for long-term storage and diagnostics	Serial inputs/outputs for AF2 models only	COM 4 = Full 9-pin (modem compatible) RS232C; COM 5 = RS232C (4-wire) or RS485; Smart analog output 4-20mA
Humidity	0 to 95%; NEMA 4X enclosure = 100%	Peripheral devices	Ticket printer, tape printer, form printer, remote display
Enclosure	Stainless steel (NEMA 4X rated enclosure available)	Accessories	PLC interface cards, 105-key PC compatible keyboard for alphanumeric character entry, relay cutoff box and cable; relay accessory box for traffic lights
Power requirements	100 to 130 VAC or 200 to 260 VAC; 50/60 Hz; 1 amp max at 115 VAC	Approvals	NTEP CC# 95-044; MC #5161
Accuracy	Class III/IIIL		
Memory	64K (AF1 models only); 320K (AF2 models only)		
Product files	50 (AF1 models only); 100 (AF2 models only)		
Field names	Seven (7) field names, <u>one</u> (1) traceable in transaction record (AF1) models only Seven (7) field names, <u>all</u> traceable in transaction record (AF2) models only		
Mail ID	200 stored customer files each with four lines of data, up to 31 characters per line (AF2 models only)		
Stored tares	100 (AF1 models only); 200 (AF2 models only)		
Transaction records	900 (AF1 models only); 1600 (AF2 models only)		

QuickFacts™

Models and specifications subject to change without notice.
Printed in the USA. © Fairbanks Scales Inc.

Call toll-free for the Fairbanks representative nearest you:
(800) 451-4107

Internet Address: <http://www.Fairbanks.com>

06/11

100386