

# FAIRBANKS®

## REMOTE DISPLAY 1601 SERIES



Fairbanks Scales' high-intensity LED remote display is designed for high-readability in all lighting conditions with viewing distances up to 75 feet.

### DESIGNED TO WITHSTAND WASHDOWN ENVIRONMENTS

Fairbanks' 1601 Series remote displays are made to perform well as a desktop or wall mount remote display and are housed in a NEMA 4X rated enclosure to handle washdown environments.

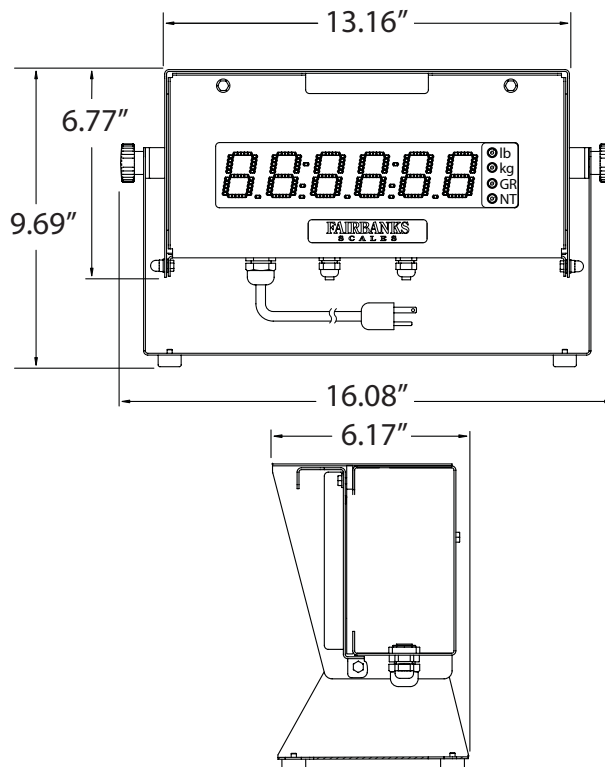
### 1601 FEATURES

- Bright red, high-intensity LED with 1.5" characters.
- Auto intensity sensor that automatically adjusts display brightness for existing lighting conditions.
- Gross and Net legends (GR-NT).
- LB and KG legends.
- Standard interfaces include RS232, RS485 and 20mA (active or passive). Wireless RS232 accessory sold separately.
- Programmable learning interface that works with all known scale instruments with a continuous output.
- Time and date capability (standard).
- Optional temperature module.

### SPECIFICATIONS (ALL MODELS)

Display type . . . . .	High-intensity, light emitting diode (LED)
Digit color/size . . . . .	Bright red, 1.5"
LED life expectancy . . . . .	More than 11 years
Time/Date functions . . . . .	Standard
Power . . . . .	117 VAC +/- 15% 50/60 Hz, 100 mA
Storage Temperature . . . . .	0° F to 150° F
Interface options . . . . .	RS232 RS485 20mA (active or passive)
Enclosure material . . . . .	Stainless steel, suitable for washdown
Enclosure rating . . . . .	NEMA 4X
Viewing distance . . . . .	Up to 75 feet
Mounting options . . . . .	Deck or wall mount (swivel bracket included)
Humidity . . . . .	0% to 100% non-condensing
Shipping weight . . . . .	18 lbs
Accessories . . . . .	Optional temperature module; Swivel Bracket (included with purchase); Wireless RS232

### DIMENSIONS



### QuickFacts™

Models and specifications subject to change without notice.  
Printed in the USA. © Fairbanks Scales Inc.

Call toll-free for the Fairbanks representative nearest you:

**(800) 451-4107**

Internet address: <http://www.Fairbanks.com>