

FAIRBANKS®

ACCESSORY 777 TRAFFIC SIGNAL FOR TRUCK AND RAIL SCALES



Fairbanks Accessory 777 Traffic Signal is designed for low maintenance and increased durability in outdoor applications.

APPLICATIONS

- Truck Scale Weigh Stations
- Railroad Track Scale Weigh Stations
- Automatic Scale Traffic Control
- Manual Scale Traffic Control

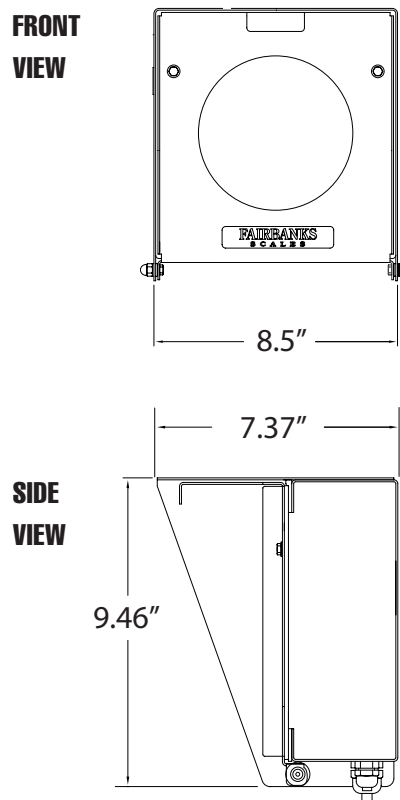
FEATURES

- Large 5" diameter LED displays a green ● and red X signal.
- Designed for quick and easy pole mounting using a slipfitter accessory.
- All exterior surfaces of the housing, door and back plates are cleaned and powder coated to the highest industry standards providing exceptional resistance to impact and weather.

PERFORMANCE SPECIFICATIONS

Construction	Black powder-coated steel enclosure
Display type	High-intensity light emitting diode (LED)
Life expectancy	More than 11 years
Visibility	Up to 300 feet
Control box	Automatic or manual
Accessories/Options	<ul style="list-style-type: none">• Slipfitter for 4.5" pole• Bracket for wall mounting• 4.5" x 8' aluminum traffic pole with natural finish• Square, aluminum pole base• Complete installation kits

DIMENSIONS (IN INCHES)



QuickFacts™

Models and specifications subject to change without notice.
Printed in the USA. © Fairbanks Scales Inc.

Call toll-free for the Fairbanks representative nearest you:

(800) 451-4107

Internet Address: <http://www.Fairbanks.com>

08/10

100501