

# FAIRBANKS®

## REMOTE DISPLAY 1605RF SERIES



Fairbanks Scales' high-intensity LED remote display is designed for high-readability in all lighting conditions with viewing distances up to 300 feet.

### DESIGNED TO WITHSTAND THE ELEMENTS

Fairbanks Scales' 1605RF Series remote displays are made to perform in the harsh, real-world environments that trucking applications demand. Wet, dirty, dusty, hot, cold — outdoor conditions do not matter to the 1605RF, it just keeps on displaying. With a unique learning ability, the 1605RF is compatible with every known scale instrument that has continuous output capability.

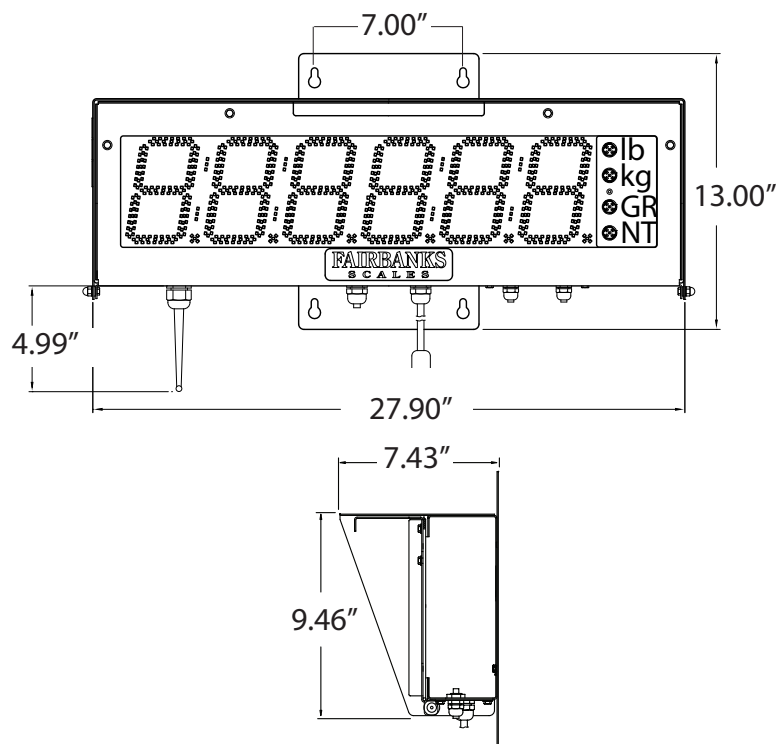
### 1605RF FEATURES

- Bright red, high-intensity LED with 5.0" characters
- NEMA 3 rated enclosure for outdoor use
- Auto intensity sensor that automatically adjusts display brightness for existing lighting conditions
- Gross and Net legends (GR-NT)
- LB and KG legends
- Wireless RS232
- Programmable learning interface
- Time and date capability (standard)
- Optional temperature module

### SPECIFICATIONS

Display type	High-intensity, light emitting diode (LED)
Digit color/size	Bright red, 5.0"
LED life expectancy	More than 11 years
Time/Date functions	Standard
Power	117 VAC +/- 15% 50/60 Hz, 100 mA
Storage Temperature	0° F to 150° F
Interface to RF modem	RS232
Enclosure material	Painted steel, black, powder coat
Enclosure rating	NEMA 3
Viewing distance	Up to 300 feet
RF Range	Indoors - up to 300 feet; Outdoors - up to 1000 feet
Mounting options	Pole or wall mount (see accessories below)
Humidity	0% to 95% non-condensing
Shipping weight	35 lbs
Accessories	Optional temperature module; Pole and pole mounting hardware

### DIMENSIONS



### QuickFacts™

Models and specifications subject to change without notice.  
Printed in the USA. © Fairbanks Scales Inc.

Call toll-free for the Fairbanks representative nearest you:  
**(800) 451-4107**

Internet address: <http://www.Fairbanks.com>