

FAIRBANKS®

3040 SERIES LASER PRINTER



The 3040 Series printer features a compact design for easy placement on your desktop.

ADVANCED TECHNOLOGY

The proven Hi-Q LED print engine is the same breakthrough technology found in some higher-end graphic-art devices, and enables the 3040 to be quieter and more energy efficient than competitive devices using traditional laser technology.

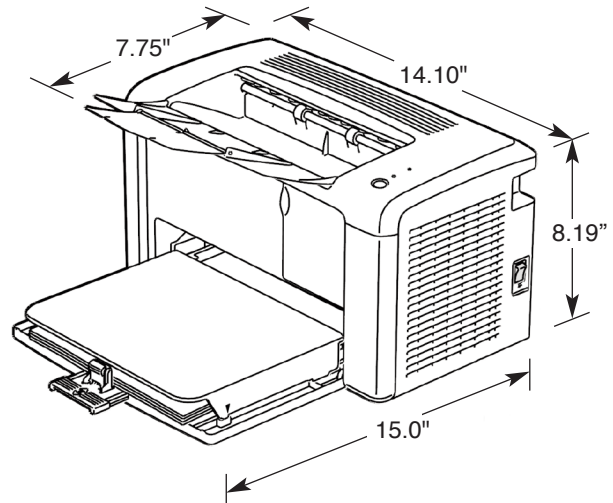
DESIGNED FOR DURABILITY

We engineered the 3040 Series to handle heavy workloads up to 30,000 tickets per month.

SPECIFICATIONS

Print speed, black	Up to 24 ppm
Print resolution, black	Up to 1200 x 1200 dpi
Print technology	Laser
Monthly duty cycle	Up to 30,000 tickets
Memory, standard	64 MB
Processor speed	150 MHz
Paper tray, standard	1
Paper handling	150-sheet input tray
Connectivity, standard	Hi-speed USB 2.0
Dimensions (W x D x H)	14.10" x 7.75" x 8.19"
Power consumption	329 watts - active, 57.6 watts - standby, 34 watts - sleep
Operating temperature range	50° to 89.6° F

DIMENSIONS



QuickFacts™

Models and specifications subject to change without notice.
Printed in the USA. © Fairbanks Scales Inc.

Call toll-free for the Fairbanks representative nearest you:

(800) 451-4107

Internet address: <http://www.Fairbanks.com>

08/13

100476