

# FAIRBANKS®

## PC43d DIRECT THERMAL LABEL PRINTER



Designed to set a new standard in user friendliness and flexibility, the PC43d provides an intuitive label printing solution.

### SPACE-SAVING DESIGN

Super easy to install and use, the compact PC43d is a purpose-built platform with an innovative design guided from customer input. This 4" wide desktop printer is perfect for space-constrained settings and offers tailored solutions for transportation, healthcare, retail and hospitality markets, as well as small and medium business, manufacturing, warehouse and office environments.

### IDEAL LOW-COST LIGHT DUTY PRINTER

It's low-cost and fast operation makes the PC43d the smart choice for light duty labeling applications in which users need a reliable, easy-to-use printing device. It is ideal for customers who are new to label printing or who are making a switch from laser or inkjet printers to thermal.

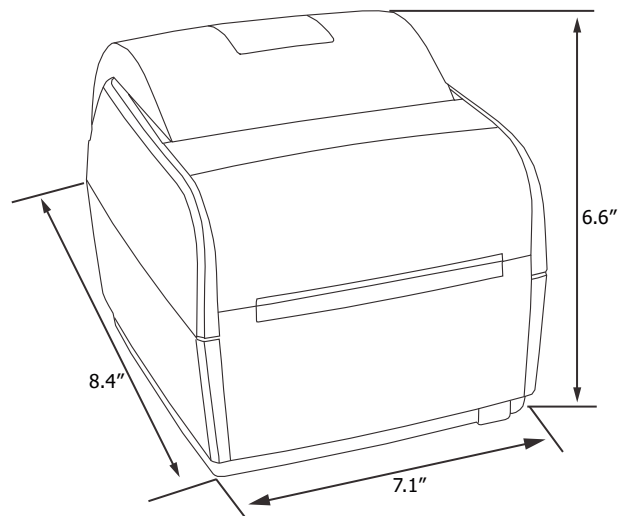
### NO-TO-LOW MAINTENANCE AND USER TRAINING

The PC43d comes with a universal icon interface or color LCD in 10 languages for immediate notifications, reducing training and support needs. Users can configure and update this printer on the spot with USB host port — no computer necessary. One-hand drop-in media loading (and reloading) makes it highly intuitive. Best of all, the disinfectant resistant case is made to last in industrial environments.

### SPECIFICATIONS

Print speed	8 inches per second (203 dpi) 6 inches per second (300 dpi)
Casing	Composite
Print resolution	8 dots/mm (203 dpi) 12 dots/mm (300 dpi)
Maximum print width	4.2 inches
Maximum label length	68 inches (203 dpi), 35 inches (300 dpi)
Maximum label width	4.7 inches
Label thickness	0.003 to 0.006 inches
Core size	0.5 or 1.0 inches
Interface	USB
Memory	128 MB flash, 128 MB RAM
Operating temperature	40° F to 104° F (5° C to 40° C)
Humidity	10 to 80% RH non-condensing
Power requirements	100 to 240 VAC, 50 to 60 Hz
Supported bar code symbologies	<i>1-Dimensional</i> — All major 1-dimensional bar code symbologies are supported. <i>2-Dimensional</i> — Aztek, Code 16K, Code 49, Data Matrix, Dot Code, EAN-8, EAN-13, EAN-UCC 128, HIBC 39, HIBC 128, and MaxiCode
Command languages	IPL, Direct Protocol, ZSim2 (ZPL-II®) DSim (DPL), XMP embedded for SAP® All and Oracle® WMS
Approval	UL

### DIMENSIONS



### QuickFacts™

Models and specifications subject to change without notice.  
Printed in the USA. © Fairbanks Scales Inc.

Call toll-free for the Fairbanks representative nearest you:

**(800) 451-4107**

Internet Address: <http://www.Fairbanks.com>