

FAIRBANKS®

PM43 MID-RANGE INDUSTRIAL LABEL PRINTER



The PM43 Mid-range Industrial Label Printer is ideal for a wide range of applications within the distribution center, warehouse, manufacturing, transportation and retail environments.

PROVEN RELIABILITY

The rugged PM43 printer incorporates features that increase uptime and reduce maintenance costs. A strong, metal construction is perfect for rough industrial environments.

The PM43's Precision Print feature ensures that even the smallest bar codes and images are printed with pinpoint accuracy — no frequent media adjustments necessary.

This printer also has a built-in multilingual web interface that ensures easy device monitoring.

PERFORMANCE

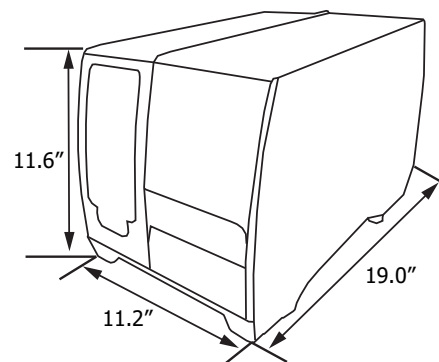
With the top print speed in its class at 12 ips, users gain a clear productivity advantage with the PM43 printer. However, this printer isn't just about working faster than the competition, it's about working smarter. With its user-selectable, all-in-one programming languages, PM43/PM43c fit IT infrastructures, deploying quickly into any printer environment. Experience the market's fastest deployment time with the PM43's innovative "no-touch" configuration.

- Large, color, multi-lingual, tamper proof touch-screen interface.
- Only CCX certified fixed printer with standard IPv6 implementation.
- Most connectivity options on the market.

SPECIFICATIONS

Print speed	4 to 12 inches per second (203/300 dpi) 4 to 10 inches per second (406 dpi)
Print resolution	8 dots/mm (203 dpi) 11 dots/mm (300 dpi) 16 dots/mm (406 dpi)
Maximum print width	4.25 inches
Media	
Type	Labels and tags, linerless and lined
Maximum label width	4.5 inches
Maximum label length	43 inches
Label/tag thickness	3 to 10.4 mil
Configuration	Roll-fed or fanfold
Sensing	Gap, notch, black mark, continuous
Label roll max diameter	6 inches for long door models 8.38 inches all other models
Core size	1.5 to 3 inches
Command languages	IPL, DP, ZSim (ZPL), DSim (DPL), XML enabled for SAP® All and Oracle® WMS
Fonts	Monotype font engine Non-Latin fonts available through WTLE
Graphics	Supports PCX, PNG, GIF and BMP file formats and other formats supported with Label Generation Tools
Bar code symbologies	Supports all major 1D and 2D symbologies
Interfaces	
Standard	Ethernet, RS232, Serial, USB 2.0, USB Host
Optional	Parallel IEEE 1284, Industrial, Dual Serial, Dual USB Host
Memory	128 MB flash; 128 MB SDRAM
Operating temperature	41° F to 104° F (5° C to 40° C)
Humidity	20 to 80% non-condensing
Power requirements	100 to 240 VAC, 45 to 65 Hz

DIMENSIONS



QuickFacts™

Models and specifications subject to change without notice.
Printed in the USA. © Fairbanks Scales Inc.

Call toll-free for the Fairbanks representative nearest you:

(800) 451-4107

Internet Address: <http://www.Fairbanks.com>