

FAIRBANKS®

1128 SERIES DUAL PLATFORM COUNTING SCALES

Fairbanks' 1128 Series are extremely flexible counting scales offering multiple platform capabilities and easy maneuverability. Available in AC/DC power configuration.



VERSATILE AND EASY TO USE

With its multiple platform capabilities using A/B switching, you can customize your own 1128 Series Dual Platform Counting Scale by combining a 10 lb., 25 lb., 50 lb. or 100 lb. counting scale with a 1000 lb. weighing platform.

APPLICATIONS

- Material handling
- Inventory management
- Parts distribution
- Warehousing
- Auditing

FEATURES

- Sturdy cast iron platform resists corrosion, bending and rough use.
- Made for easy portability with cast iron wheels and new, non-slip, ergonomic handle.
- Battery and AC power.
- Fairbanks' low-power technology enables batteries to last through five months of continuous use.
- Easy-to-read LCD display.
- Auto-switching, programmable sample sizes, automatic tare functions, numeric product I.D., and piece/weight accumulation and subtraction.

PERFORMANCE SPECIFICATIONS

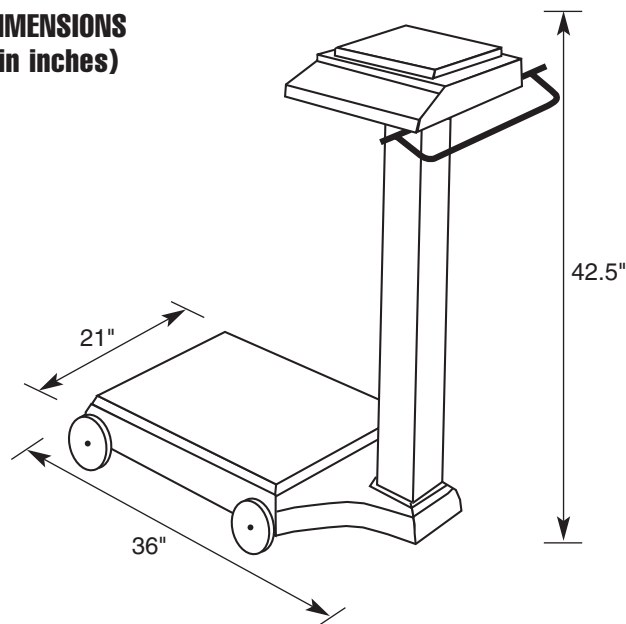
Counting Scale

Capacity	10 lbs. x 0.001 lbs. (4400 g x 0.5 g)
	25 lbs. x 0.002 lbs. (11,000 g x 1 g)
	50 lbs. x 0.005 lbs. (22,000 g x 2 g)
	100 lbs. x 0.01 lbs. (44,000 g x 5 g)
Sample Size	Programmable
Platform Dimensions	10 lb. — 10 in. x 10 in. (recessed pan); 25-100 lb. — 11 in. x 13 in. (recessed pan)
Base Dimensions	11 in. (W) x 4.25 in. (H) x 15 in. (L)
Units	Pounds, Kilograms, Grams
Display	Seven segment, dual LCD
Internal Resolution	1/1,000,000
Power Sources	6 D-cell alkaline batteries and 117 VAC
Operating Humidity	0 to 80% relative humidity
Overload Capacity	300% of rated scale capacity

Base Platform Specifications

Capacity	1000 lbs. x 0.5 lbs.
Platform Size (L x W)	23.5 in. x 17.75 in.

DIMENSIONS (in inches)



QuickFacts™

Models and specifications subject to change without notice.
Printed in the USA. © Fairbanks Scales Inc.

Call toll-free for the Fairbanks representative nearest you
(800) 451-4107