

FAIRBANKS®

HEAVY CAPACITY SHIP-IT™ PACKAGE SCALE



The Fairbanks Heavy Capacity Ship-It Scale is a dependable and accurate scale designed to weigh packages or use in general purpose industrial applications. This scale comes with a remote display and is available in a roller-ball top or flat top design.

EXTRA CAPACITY FOR HEAVY APPLICATIONS

This scale's heavy-duty 250 pound capacity is designed to handle extreme parcel weighing. Additionally, it reads in 0.05 pound increments, providing razor-sharp accuracy. Users can rest assured that every package weighed by the Heavy Capacity Ship-It is weighed precisely and is legal-for-trade in both the United States and Canada.

LARGER PLATFORM

Because heavier packages tend to be larger, this scale has a 20.75" x 20.75" platform. Odd-shaped and over-sized packages fit nicely on the Ship-It. Plus, extra-long parcels that may hang over the edges of the scale can still be weighed accurately.

EASY TO USE

Fairbanks' package shipping scales are always designed with the customer in mind. Simply plug the scale in, place the package on the platform and read the weight. The large display is easy-to-see and includes only two buttons — units and zero. This simplicity virtually guarantees error-free shipping.

UPS COMPATIBLE

As with all Fairbanks' parcel shipping scales, the Heavy Capacity Ship-It is completely compatible with UPS shipping software. Included with the scale is an 8-foot serial cable that can be used to connect the scale to a personal computer. By utilizing this feature, you can quickly process shipments for UPS and produce an electronic manifest, eliminating the tedious job of writing hand bills. UPS software is available through UPS.

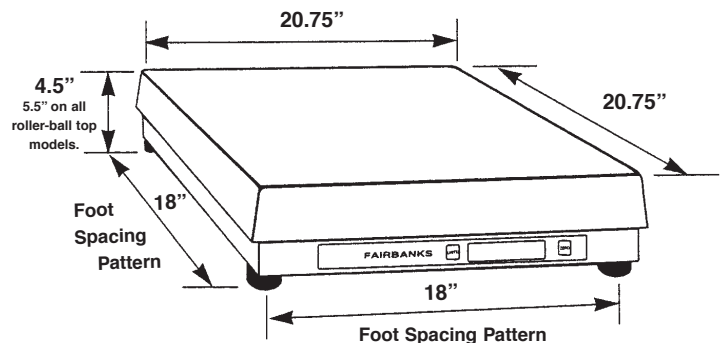
RUGGED AND DEPENDABLE

The Heavy Capacity Ship-It is designed to perform in the toughest shipping environments. Years of experience in manufacturing parcel shipping scales has enabled Fairbanks to make the world's finest product of this type.

SPECIFICATIONS

Capacity	250 lbs. (113.4 kg.)
Resolution	5,000 divisions (0.05 lb./0.02 kg.)
Primary Display	6 character, 7 segment, 9/16" LED
Serial Output	RS232 (Standard)
RS232 Cable Length	8 feet
Shipping Weight	68 lbs. (flat top); 80 lbs. (roller top)
Platform Dimensions	20.75" x 20.75"
Power Requirements	120 VAC 50/60 Hz. or 240 VAC 50/60 Hz.
Remote Display	6 character, 0.9 inch LCD; Included with scale
Accessories	Display pillar
Approvals	NTEP CC# 97-115; MC #AM-5209

DIMENSIONS



QuickFacts™

Models and specifications subject to change without notice.
Printed in the USA. © Fairbanks Scales Inc.



St. Johnsbury manufacturing
facility registered in
compliance with ISO 9001:2000.

Call toll-free for the Fairbanks representative nearest you:

(800) 451-4107

Internet Address: <http://www.Fairbanks.com>